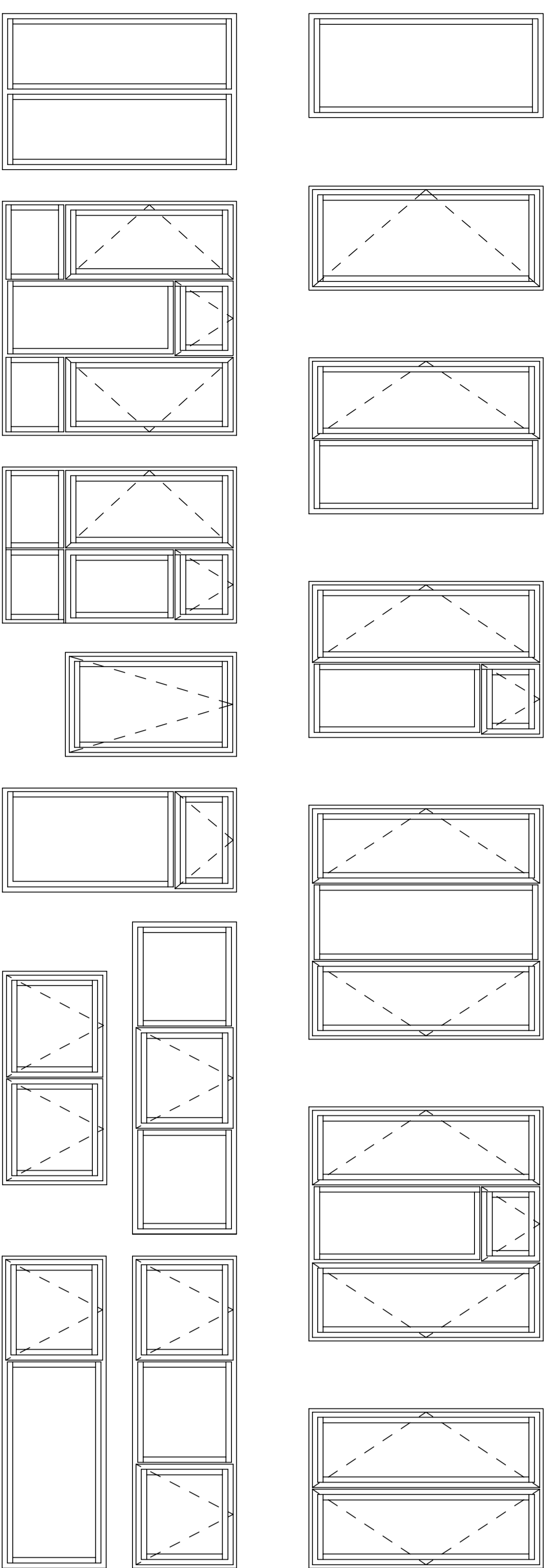


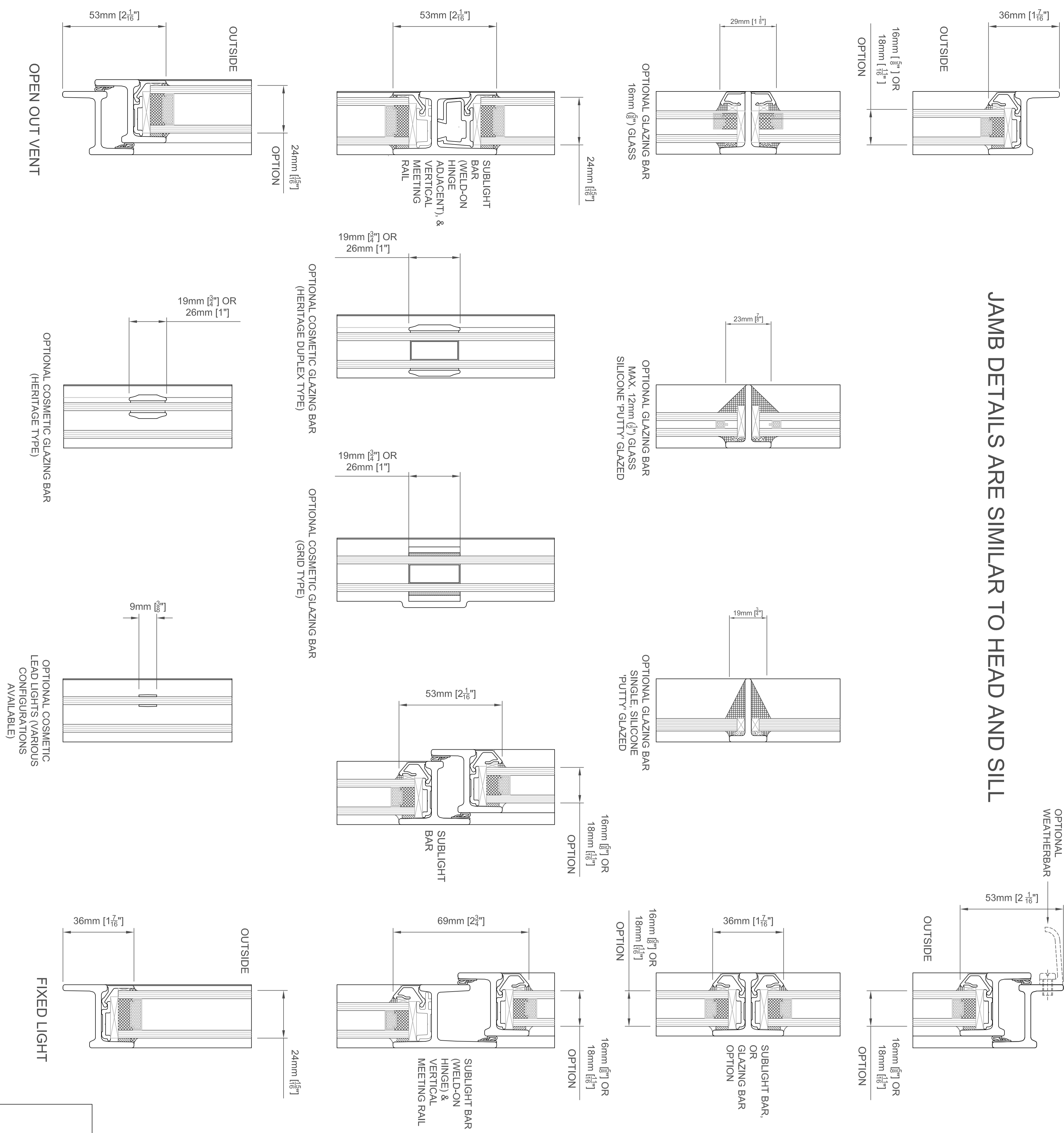
PRODUCT RANGE (VARIATIONS ARE POSSIBLE - CONSULT CRITTALL)



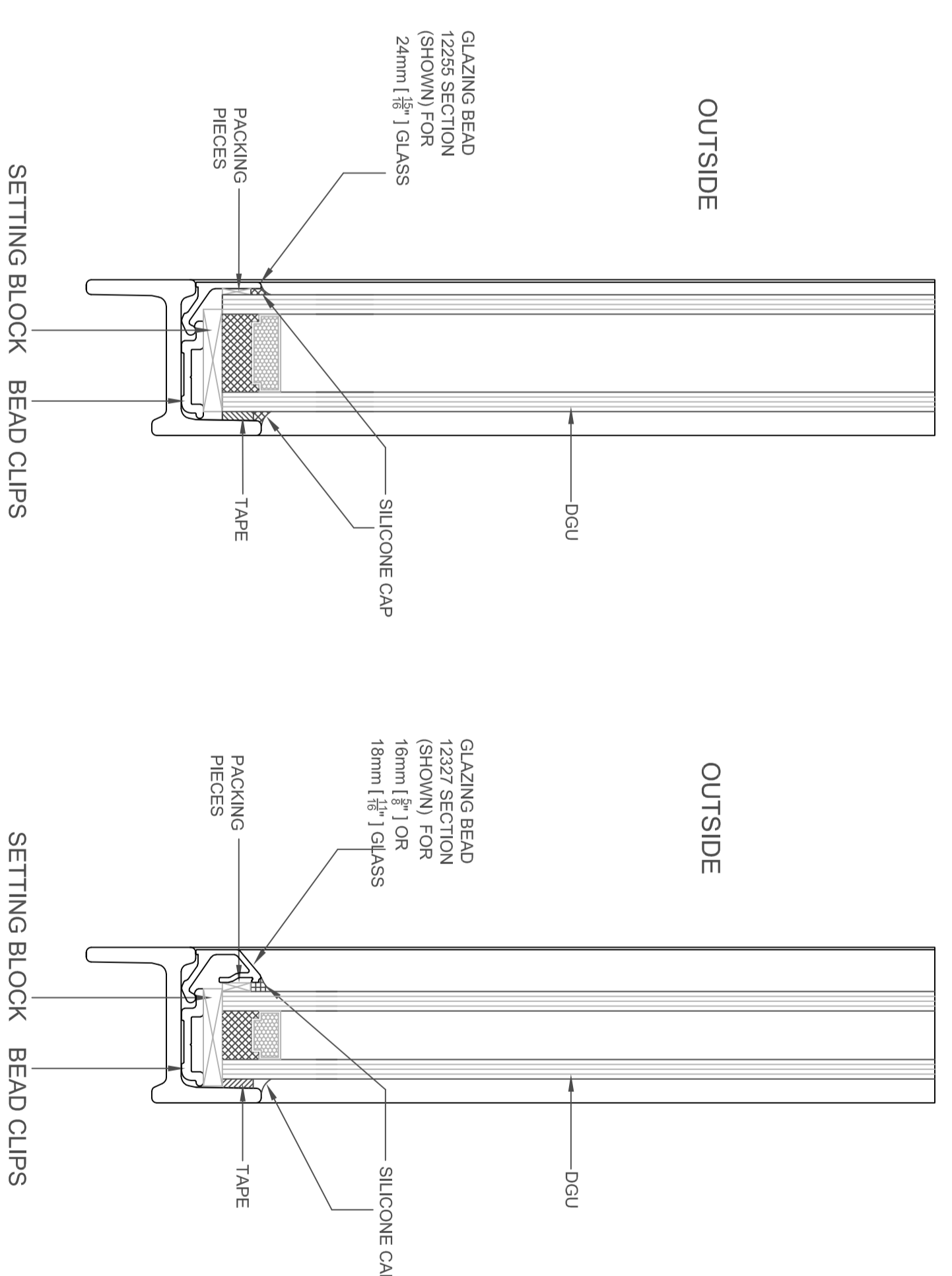
FIXED LIGHT

OPEN OUT VENT

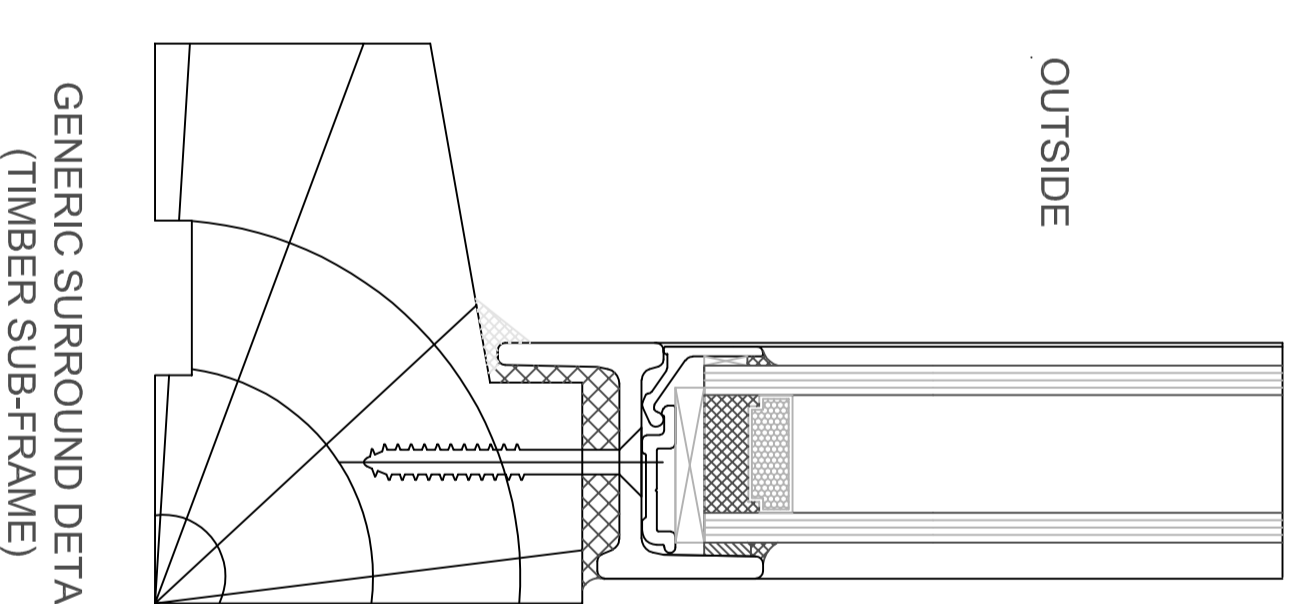
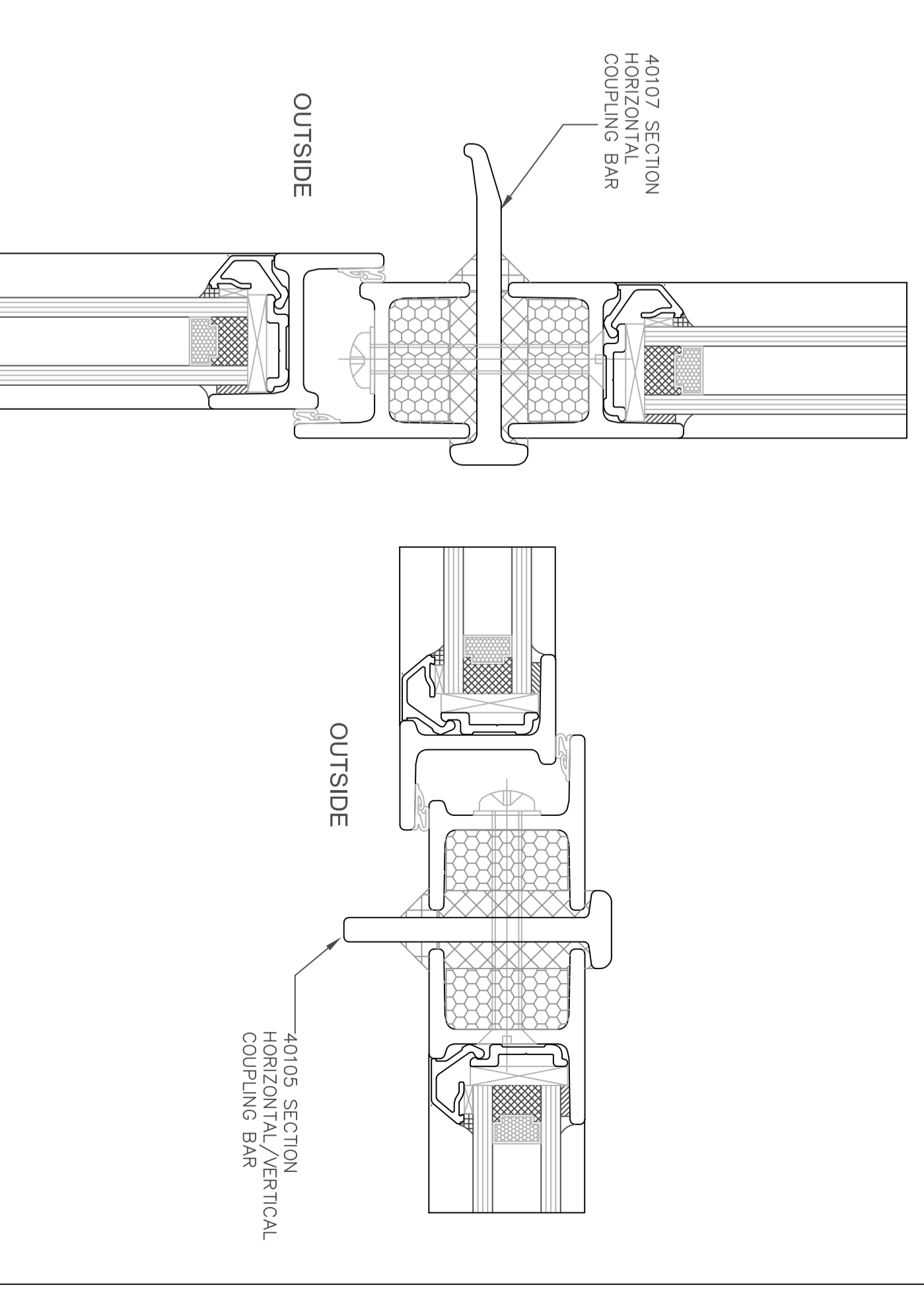
JAMB DETAILS ARE SIMILAR TO HEAD AND SILL



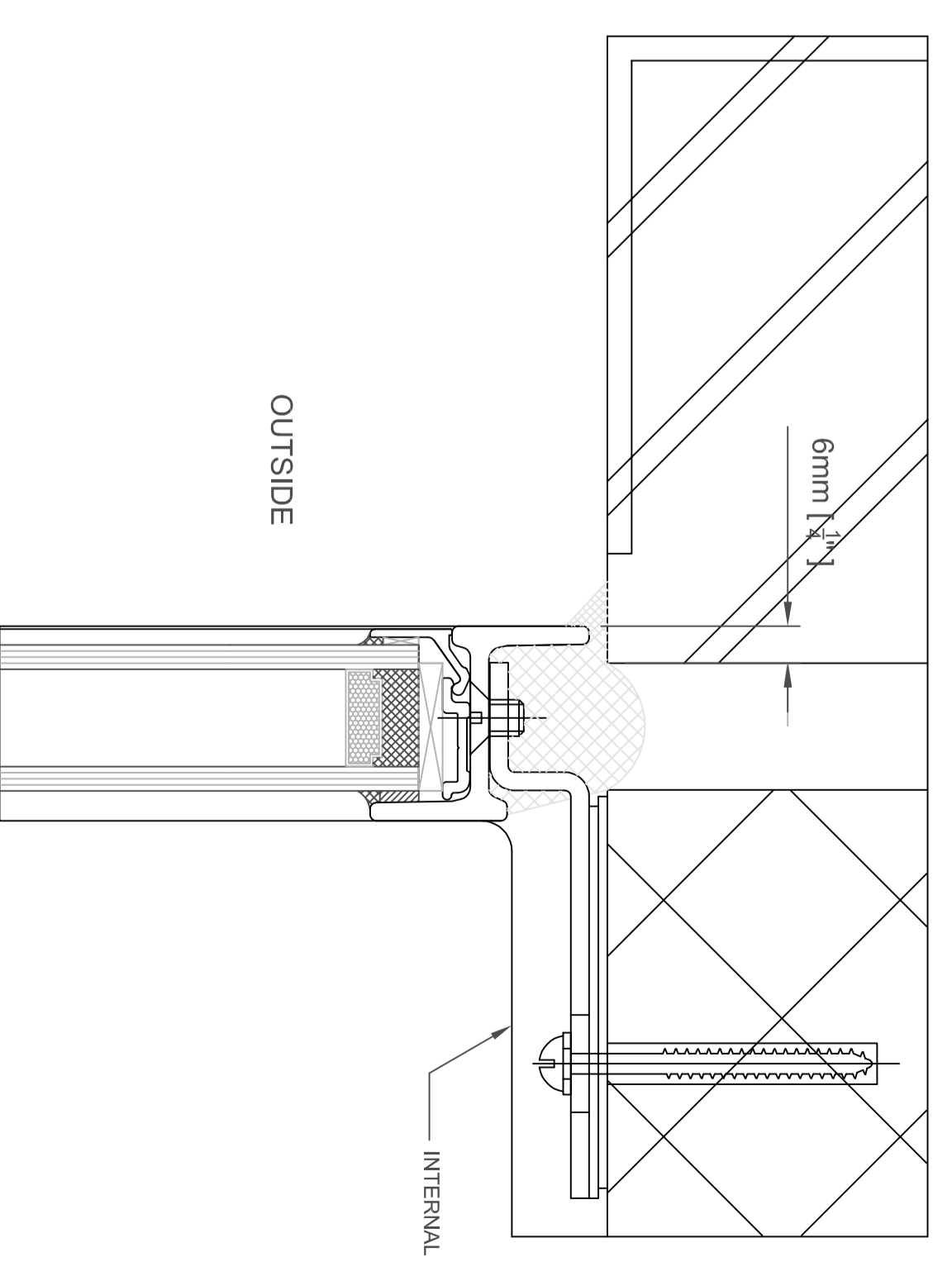
TYPICAL GLAZING DETAILS



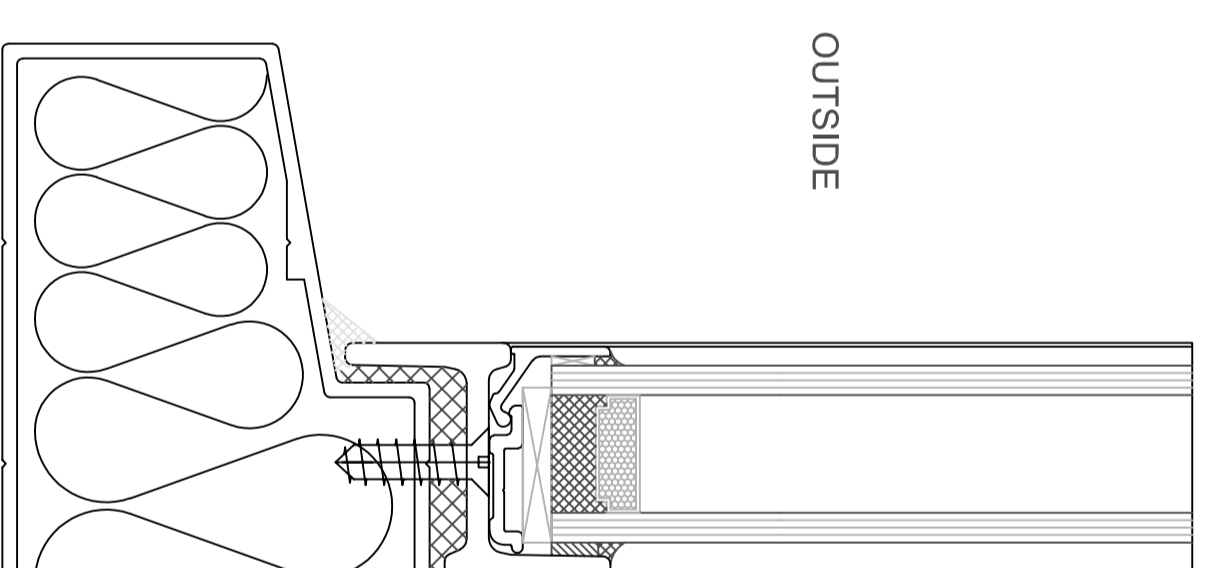
TYPICAL COUPLING DETAILS



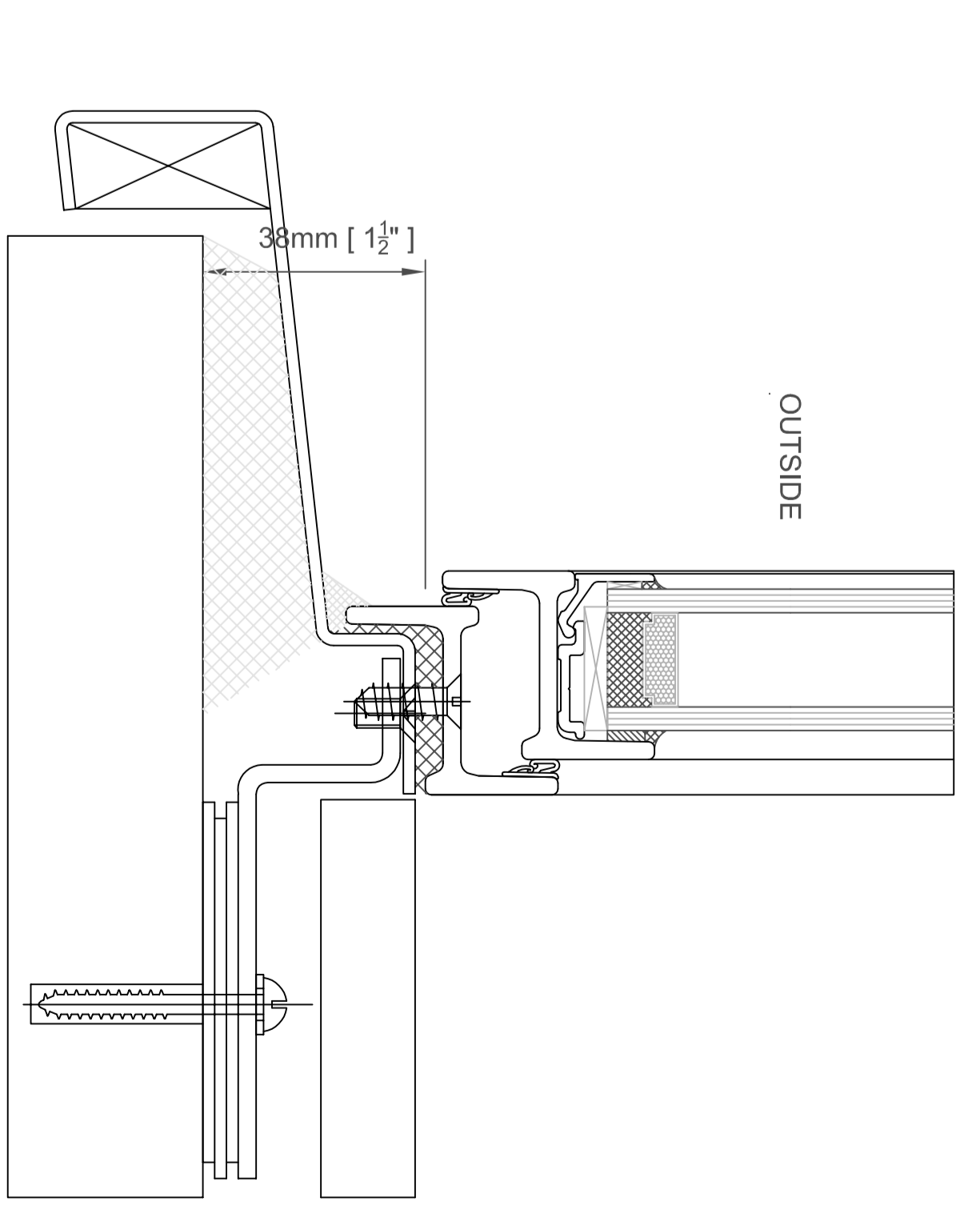
GENERIC SURROUND DETAIL (TIMBER SUB-FRAME)



GENERIC SURROUND DETAIL (BRICK)



GENERIC SURROUND DETAIL (TYPICAL CRITTALL REPLICA POWDER COATED EXTRUDED ALUMINIUM SUB-FRAME SHOWN)



GENERIC SURROUND DETAIL (STEEL SILL)

GENERIC SURROUND DETAILS



CRITTALL® IS A REGISTERED TRADE MARK OF CRITTALL WINDOWS LIMITED
 THE FOLLOWING DESIGN RESTRICTIONS APPLY TO THIS PRODUCT: COMMUNITY DESIGN (REG. NO. 00233794-0001), (00233794-0002), (00233794-0003)
HOMELIGHT PLUS™ WINDOW FRAME PROFILES

REF HP 02/20