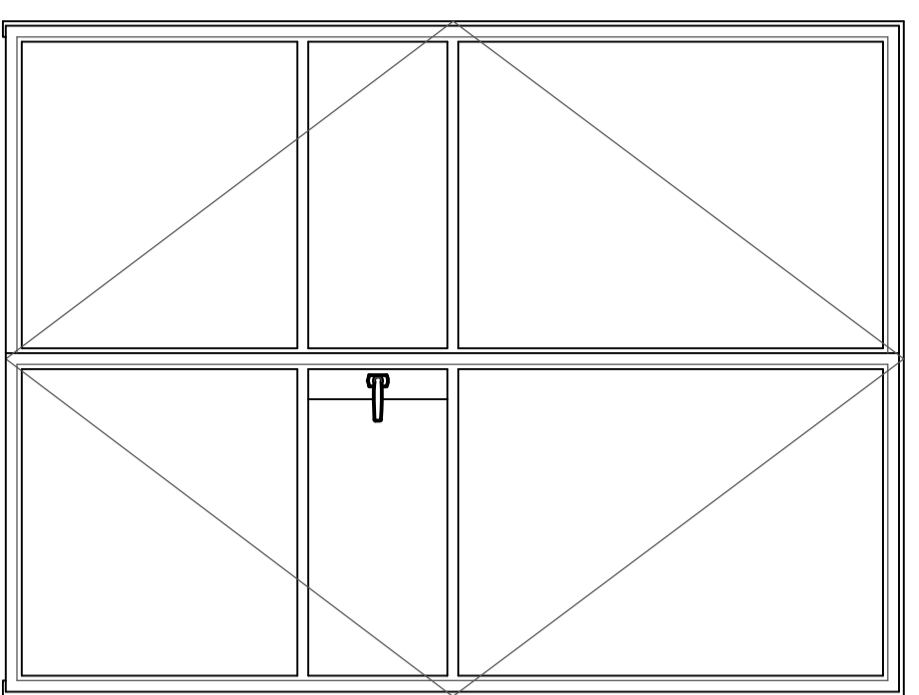
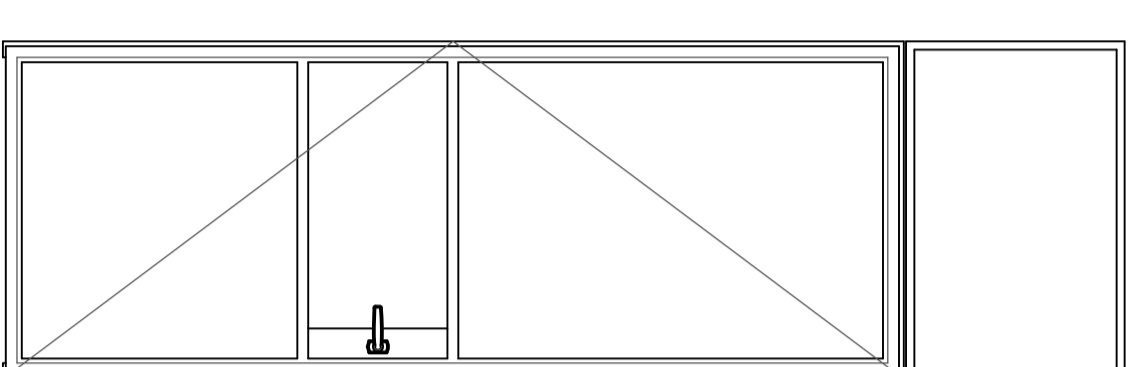


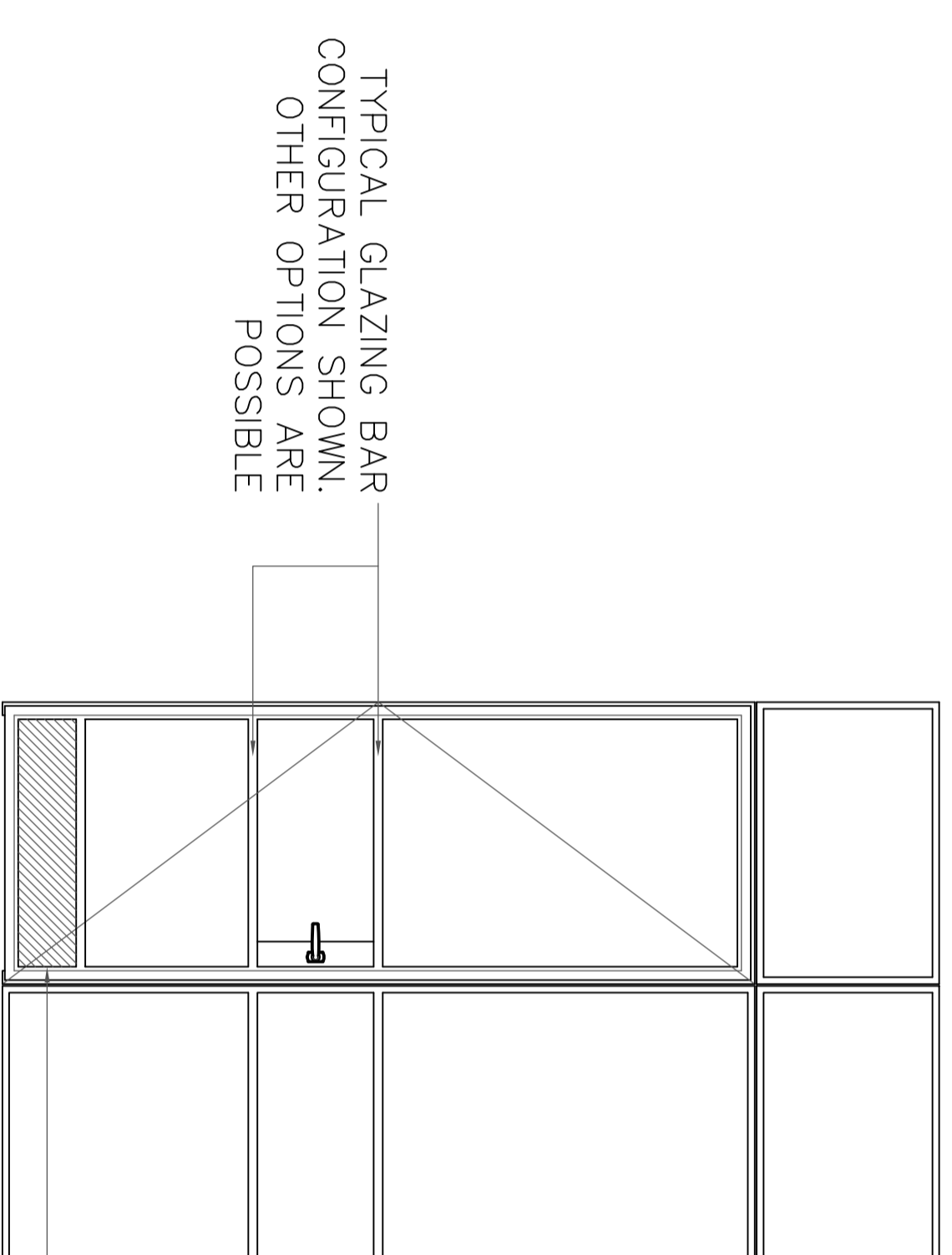
TYPICAL SINGLE DOOR



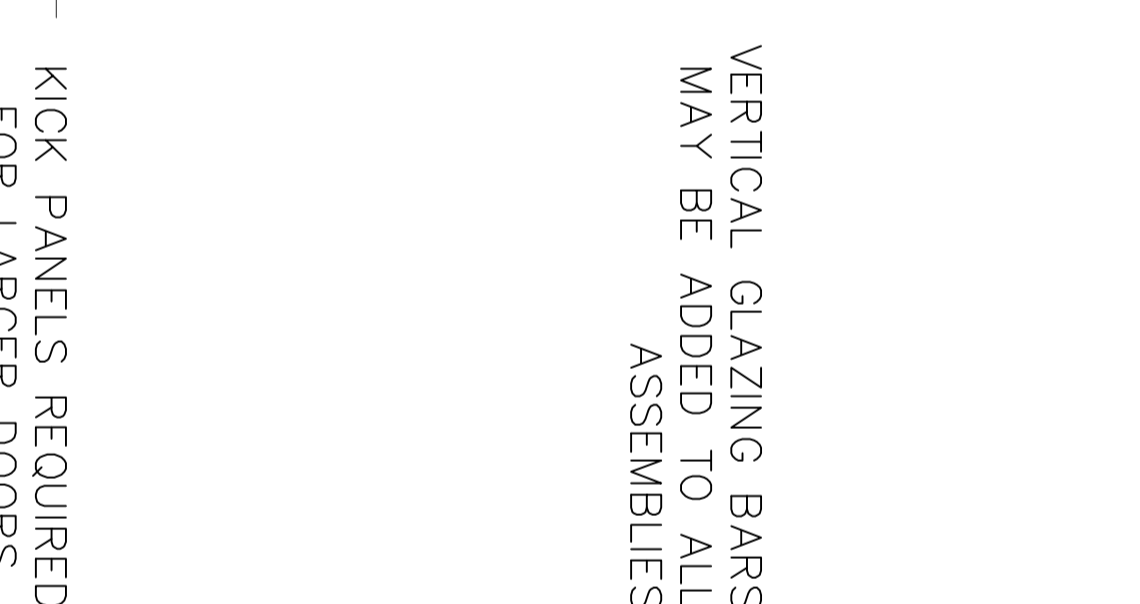
TYPICAL DOUBLE DOOR



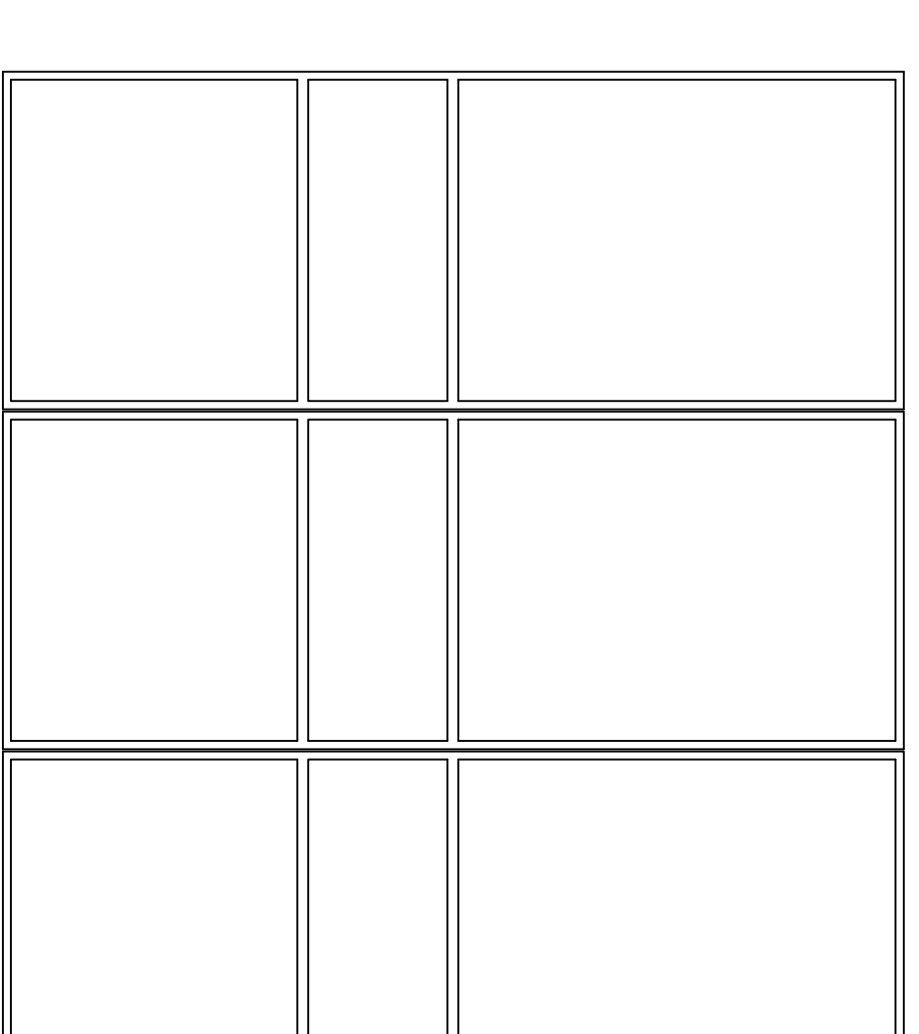
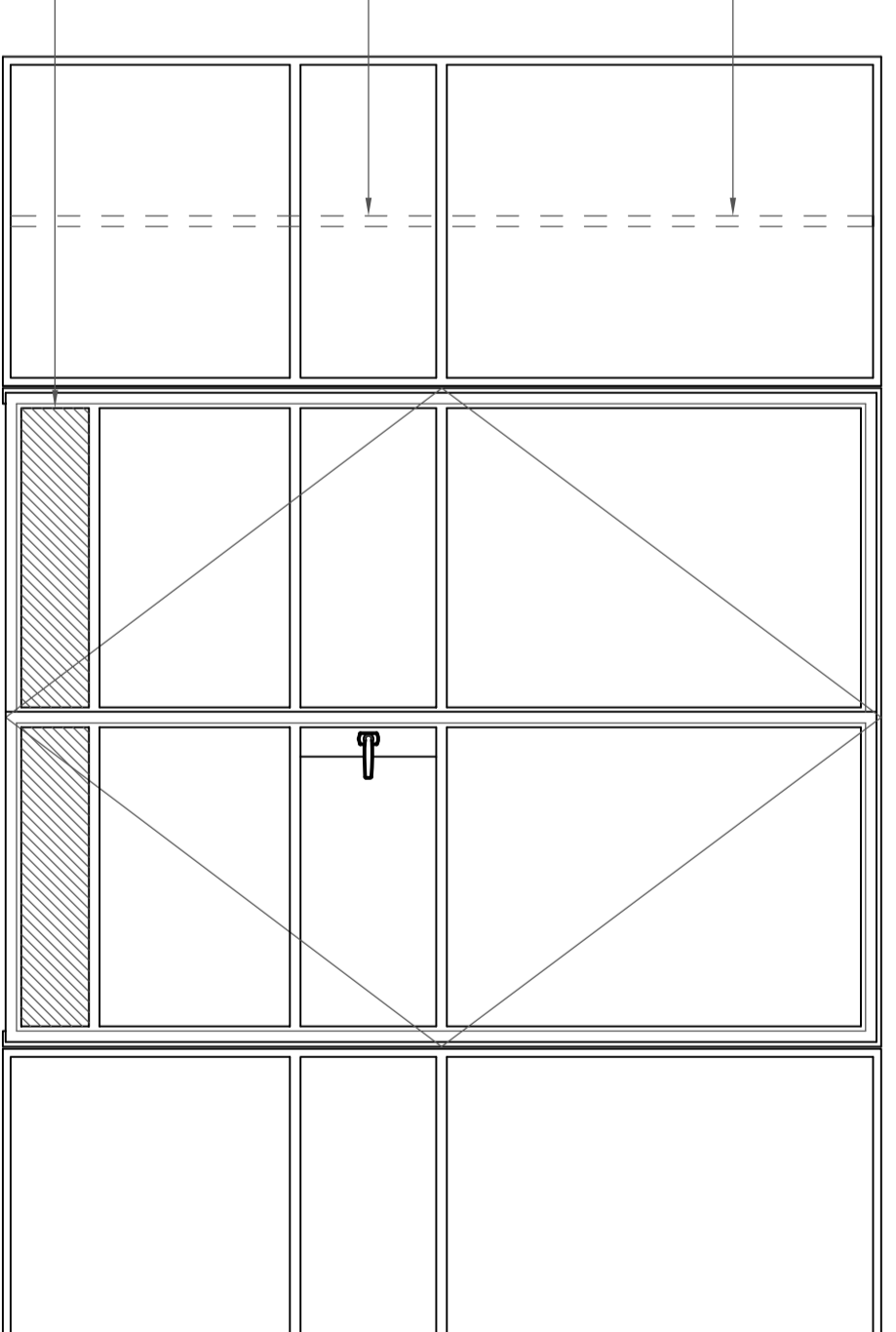
TYPICAL SINGLE DOOR WITH TOP-LIGHT



TYPICAL SINGLE DOOR WITH SIDE-LIGHT AND TOP-LIGHTS

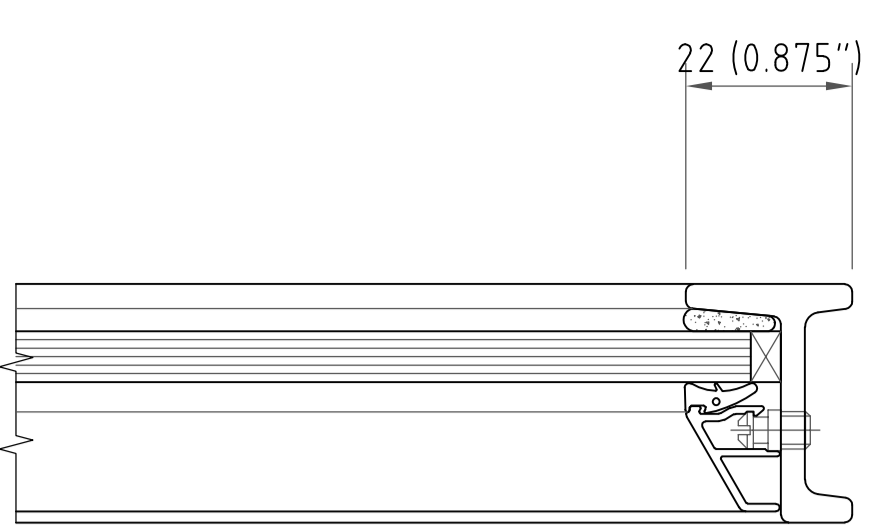


TYPICAL DOUBLE DOOR WITH SIDE-LIGHTS ('BELGIUM DOOR')

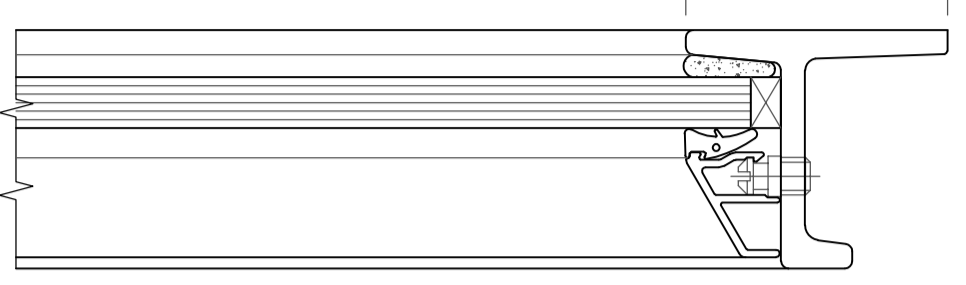


TYPICAL FIXED LIGHT SCREEN ASSEMBLY

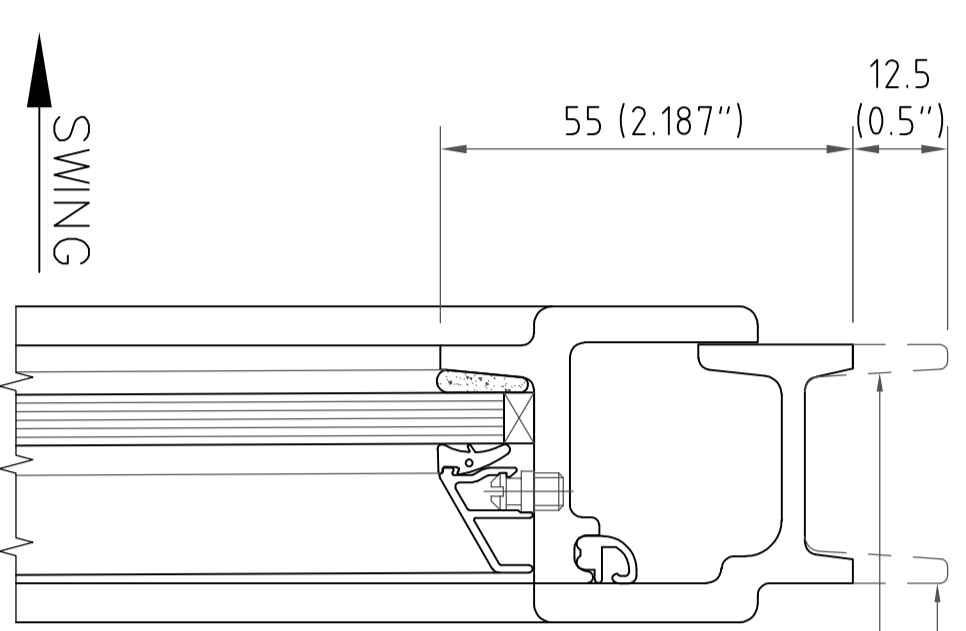
FRAME PROFILES



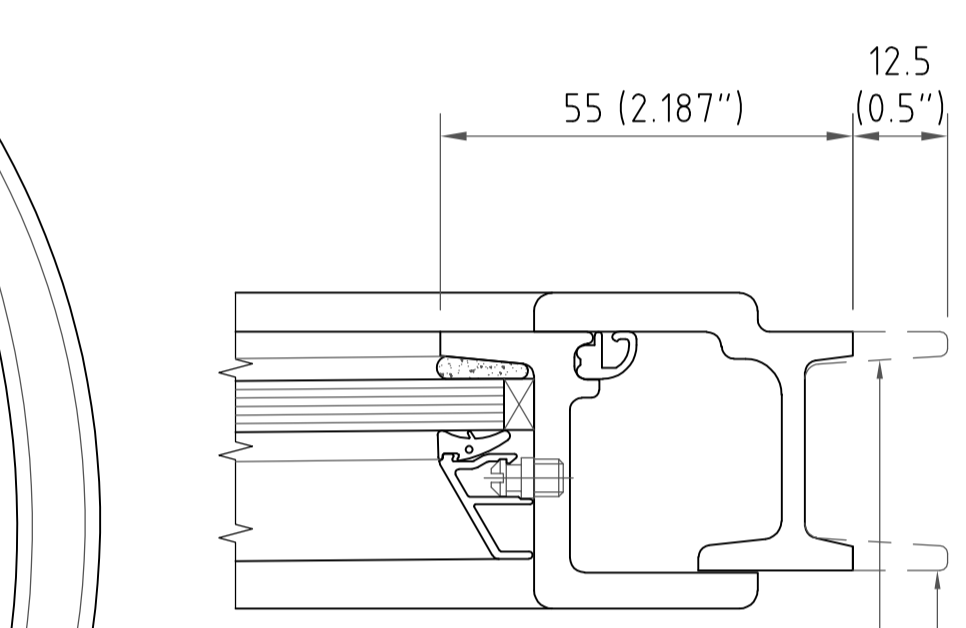
FIXED LIGHT FRAME
(USE AT HEAD, SILL
AND/OR JAMBS)



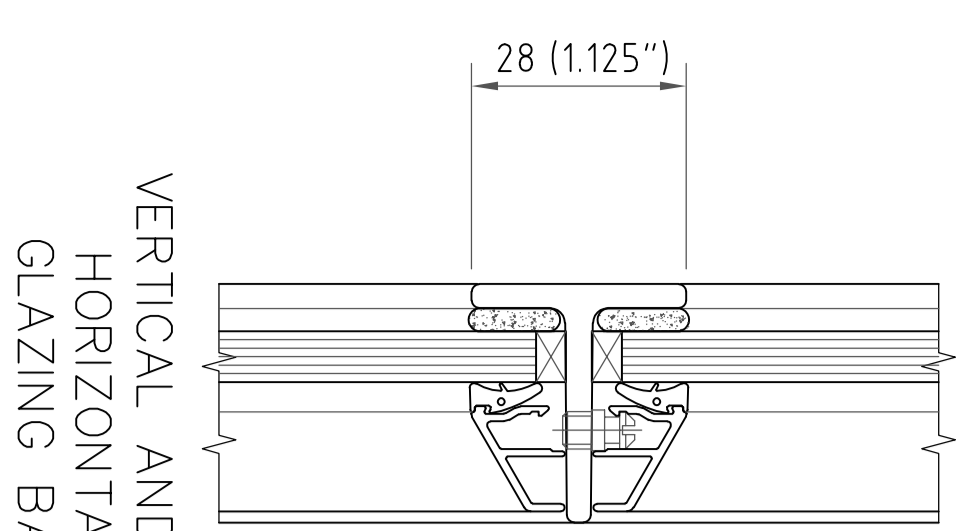
FIXED LIGHT FRAME
(USE AT HEAD, SILL
AND/OR JAMBS)



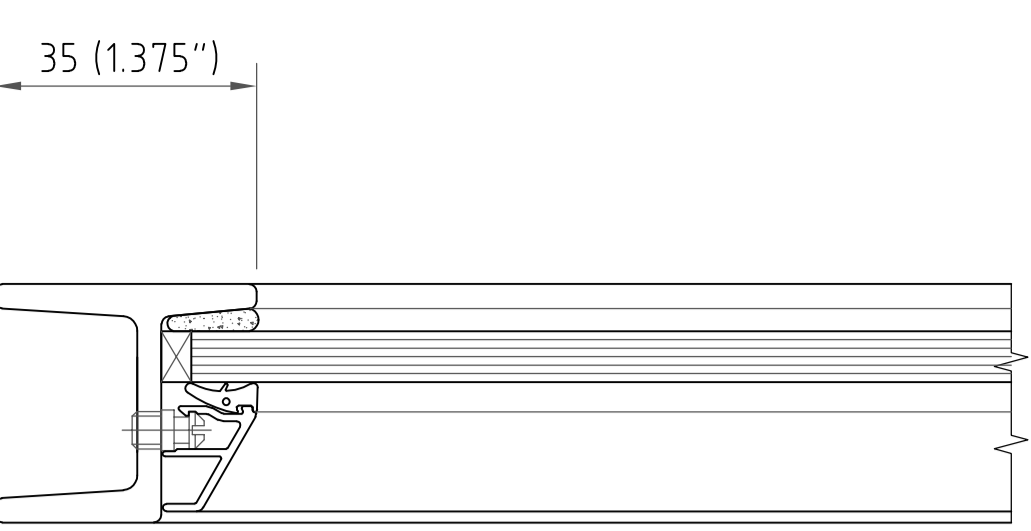
DOOR FRAME
(USE AT HEAD
AND/OR JAMBS)



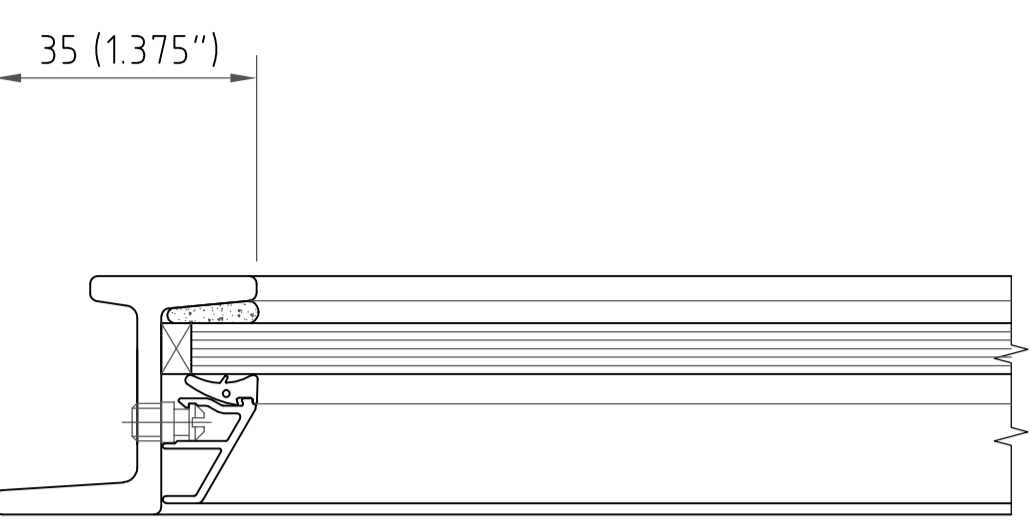
DOOR FRAME
(USE AT HEAD
AND/OR JAMBS)



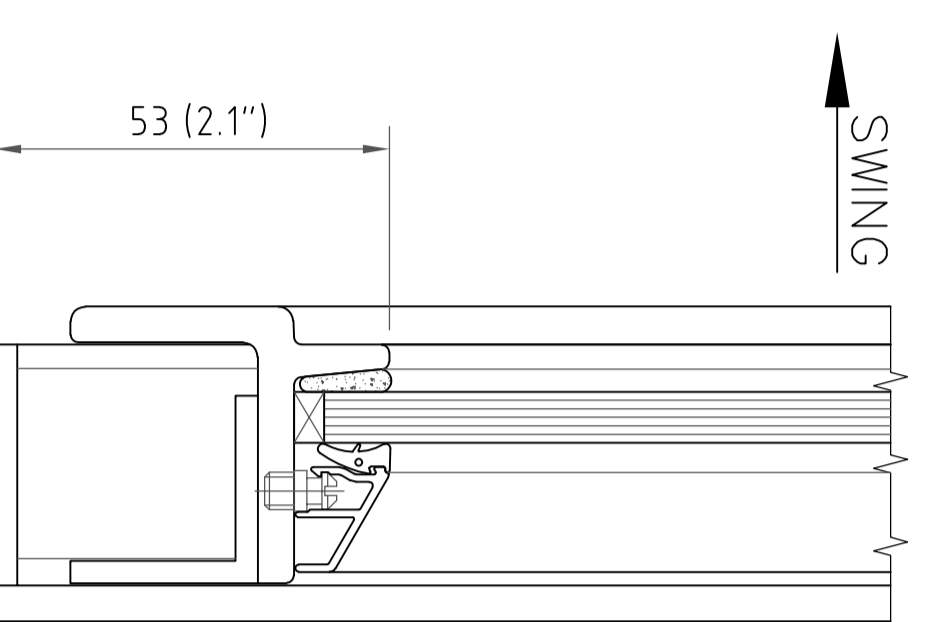
VERTICAL AND/OR
HORIZONTAL
GLAZING BAR



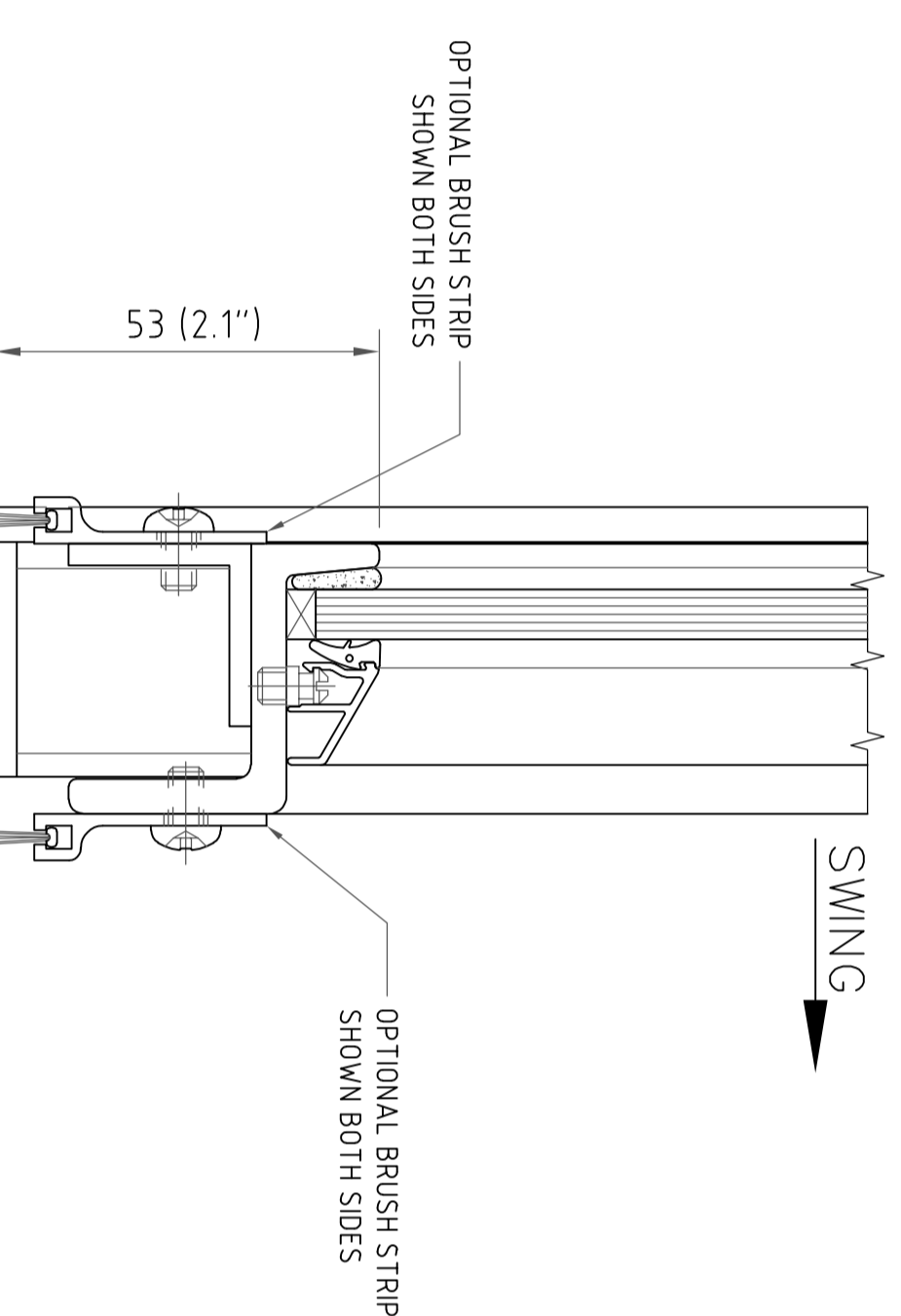
FIXED LIGHT FRAME
(USE AT SILL, HEAD
AND/OR JAMBS)



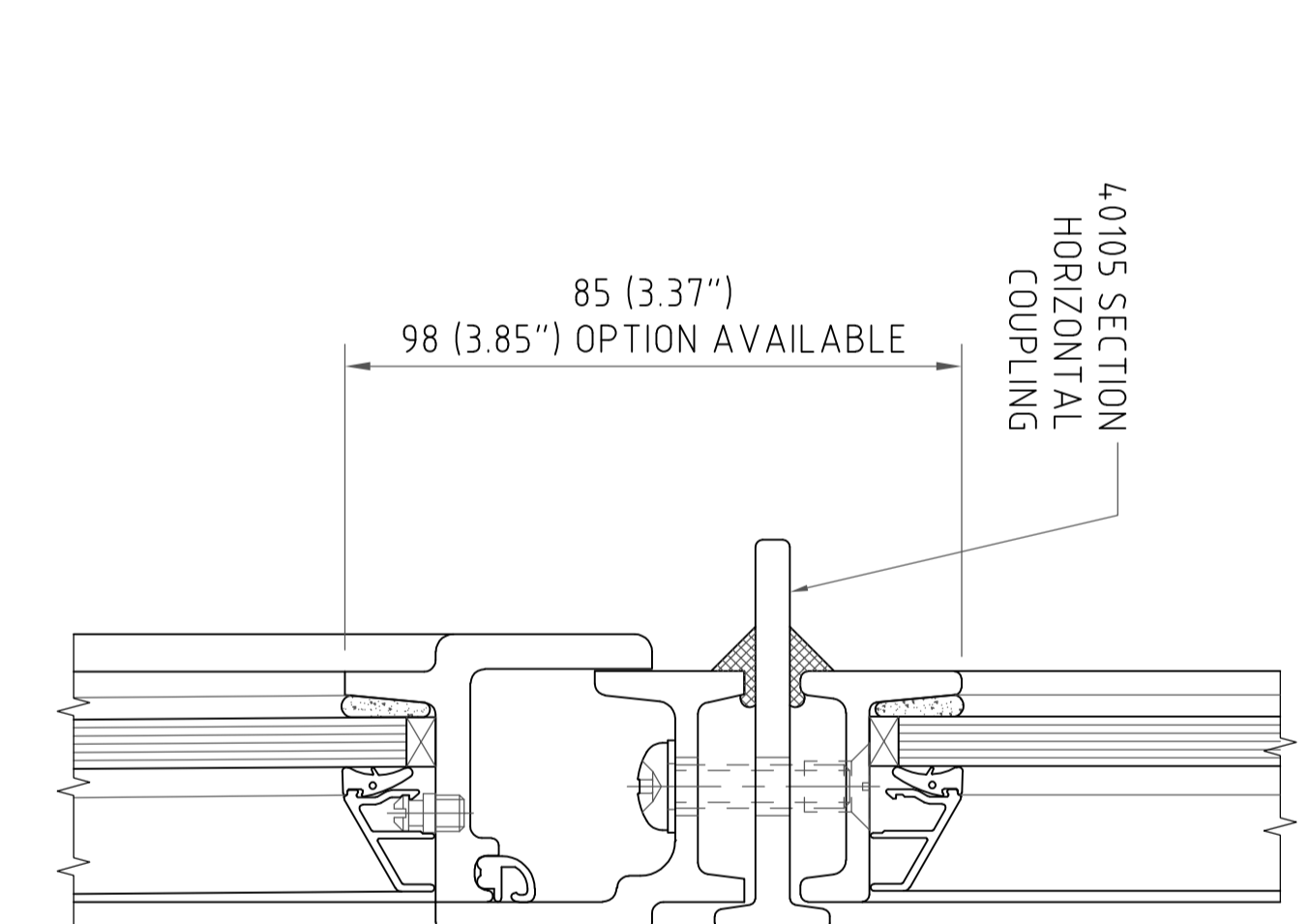
FIXED LIGHT FRAME
(USE AT SILL, HEAD
AND/OR JAMBS)



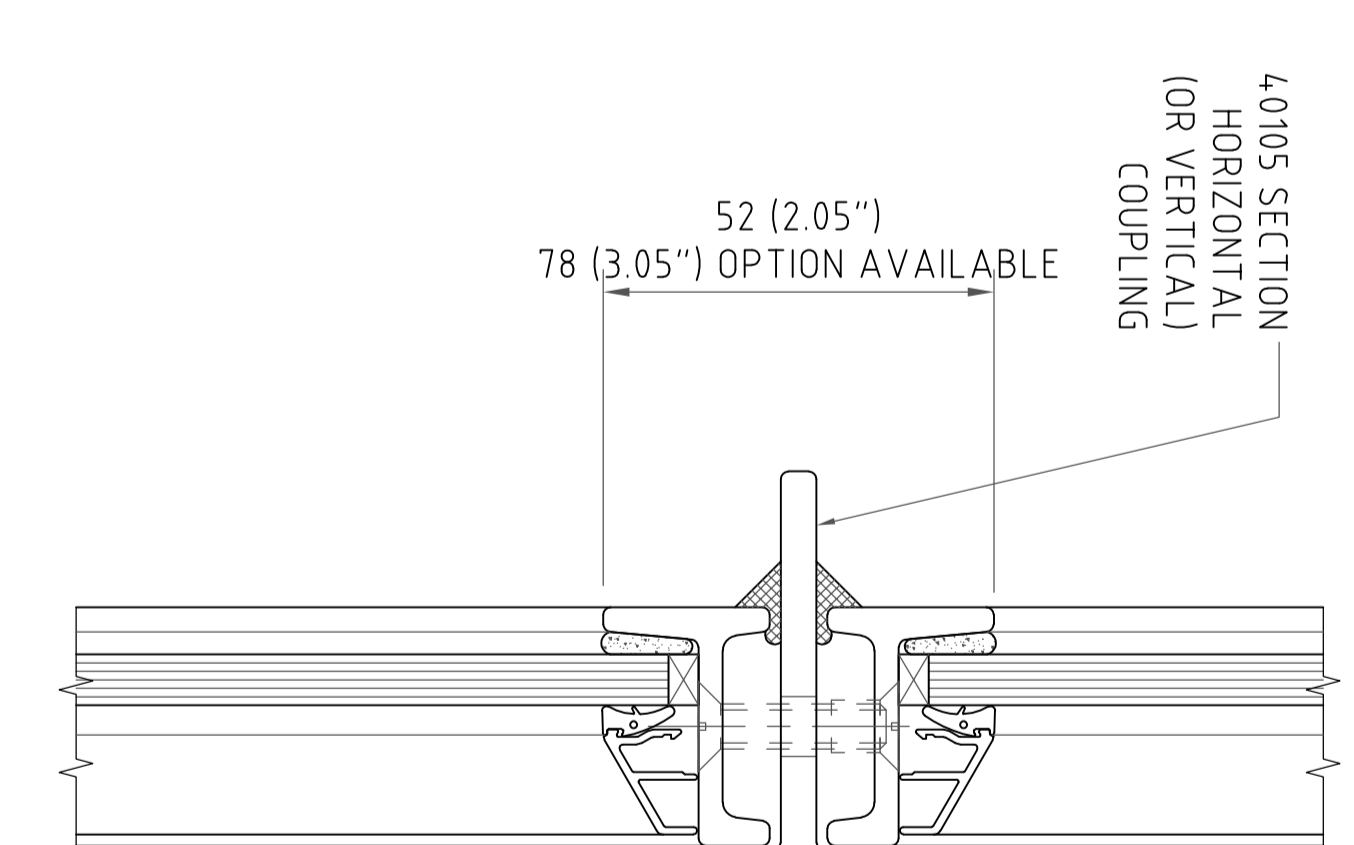
DOOR SILL



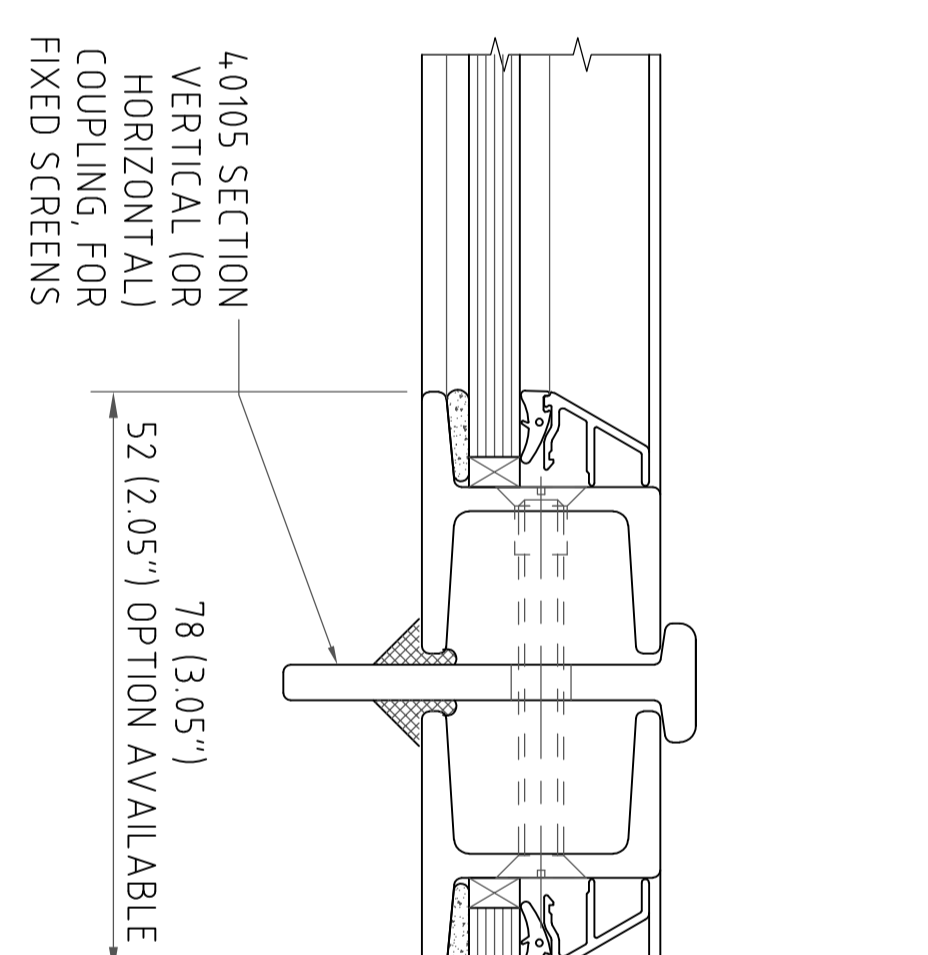
DOOR SILL



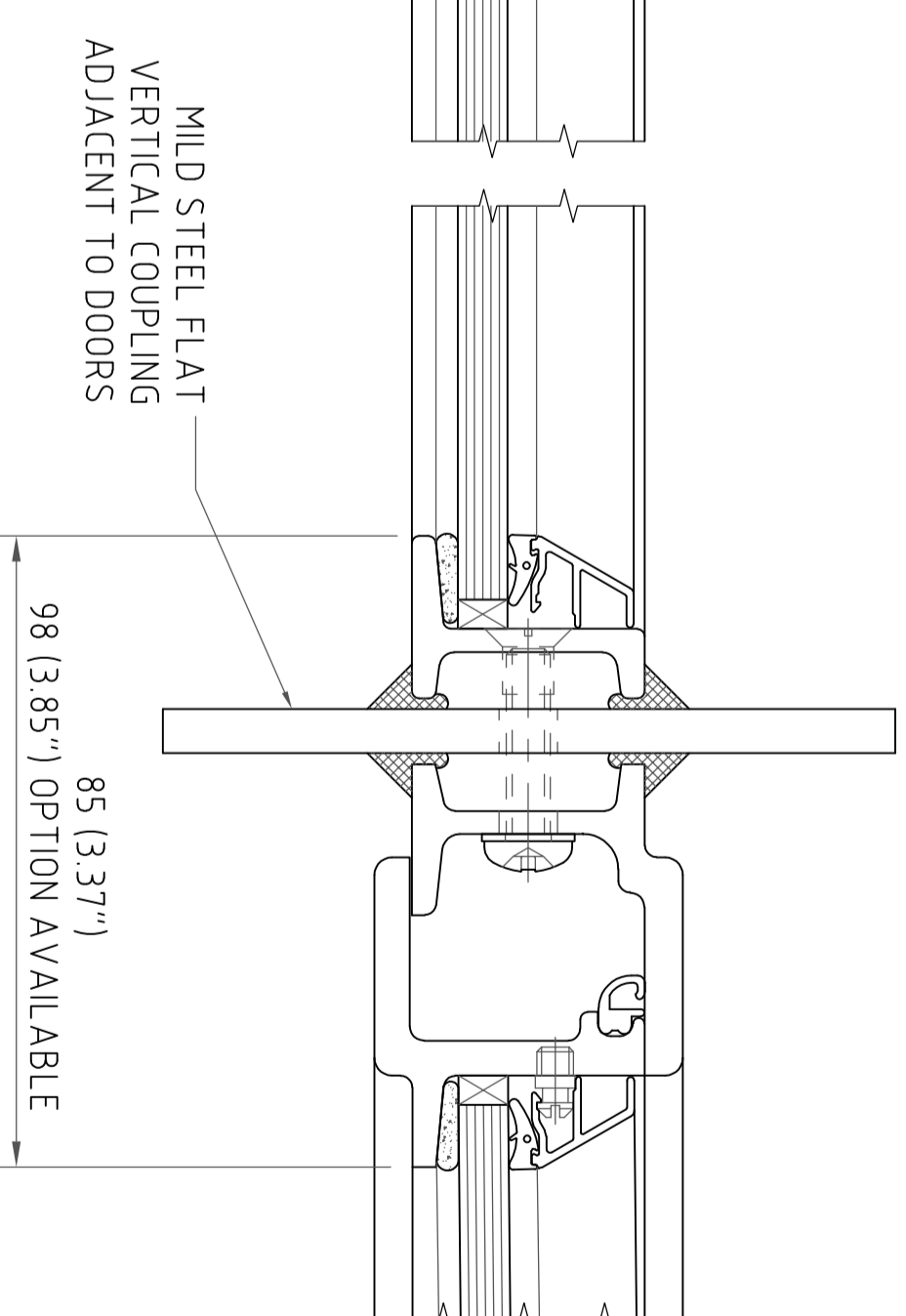
4005 SECTION
HORIZONTAL
COUPLING



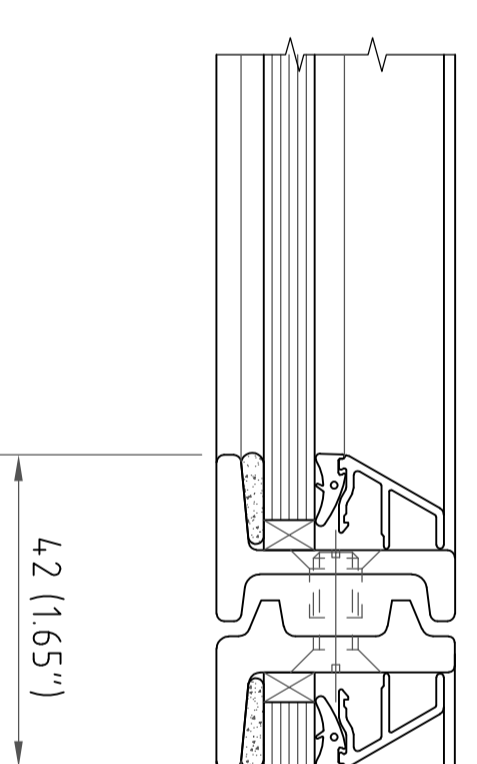
4005 SECTION
(OR VERTICAL)
COUPLING



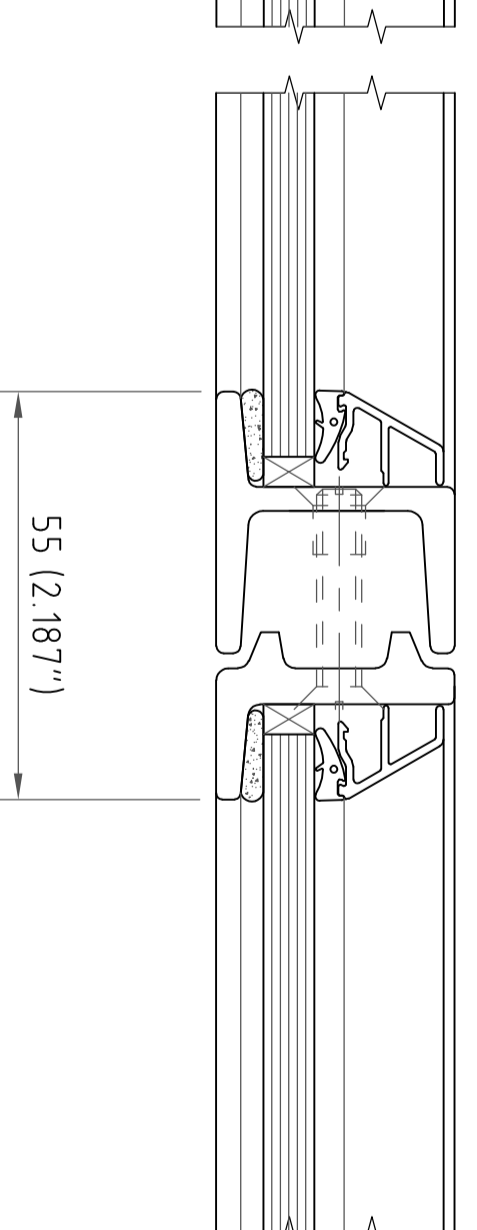
4005 SECTION
VERTICAL (OR
HORIZONTAL)
COUPLING FOR
FIXED SCREENS



MILD STEEL FLAT
VERTICAL COUPLING
ADJACENT TO DOORS

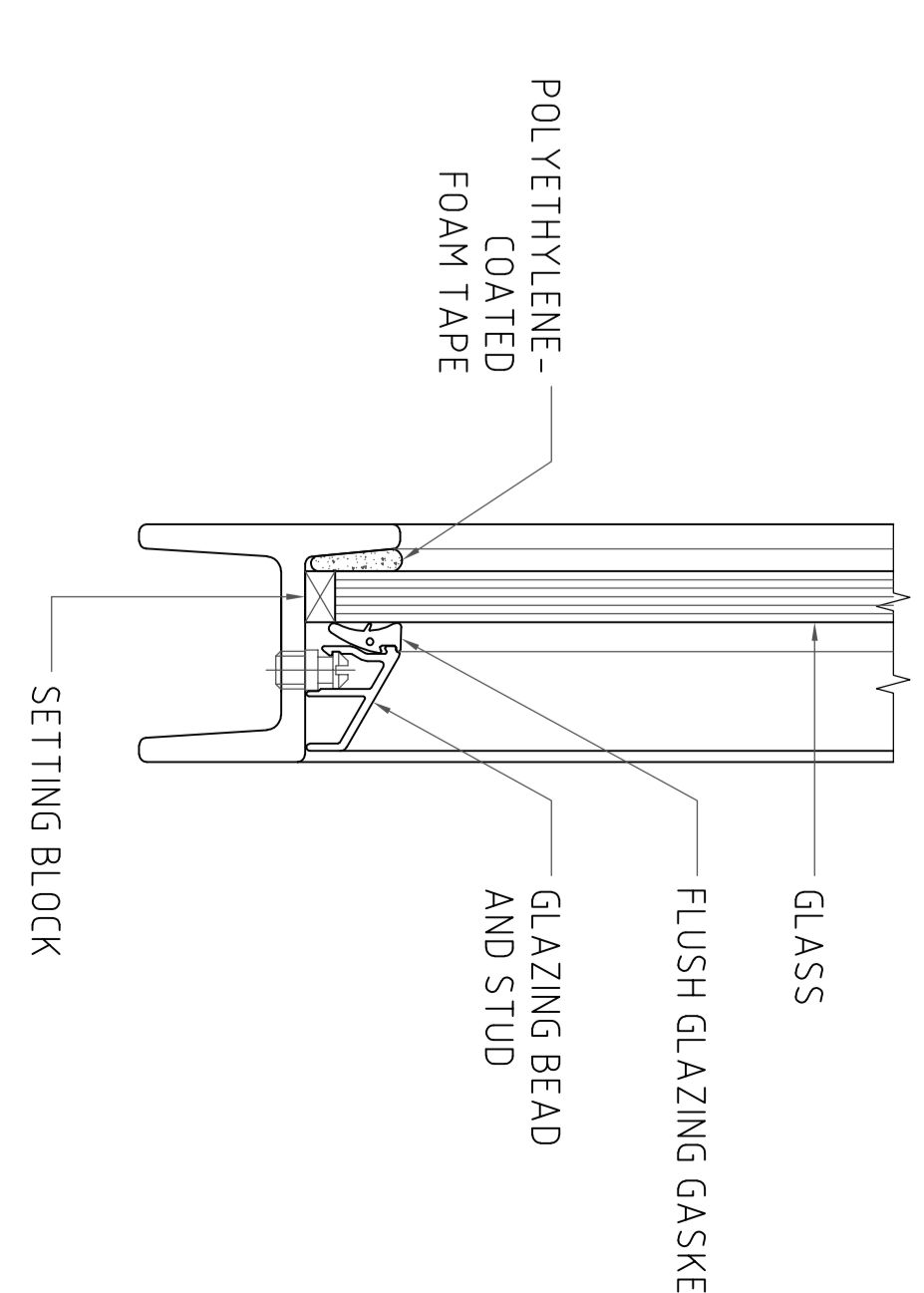


42 (1.65")

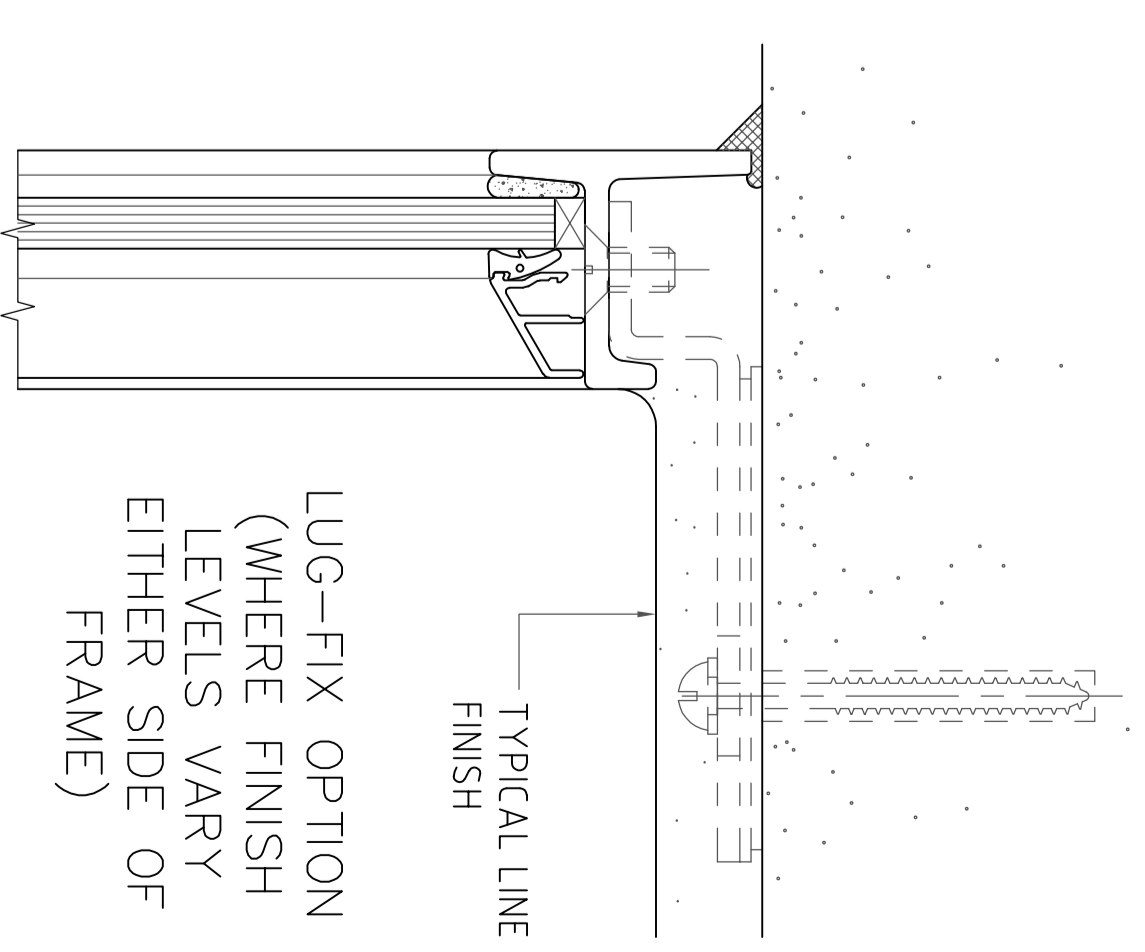


55 (2.187")

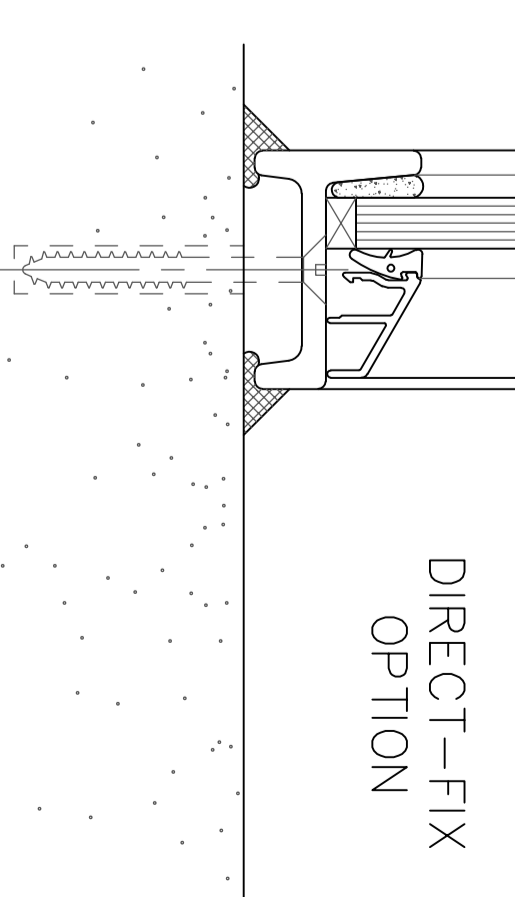
DIRECT COUPLE DETAILS
(FOR LOW-LOAD, FIXED SCREEN
COUPLINGS ONLY)



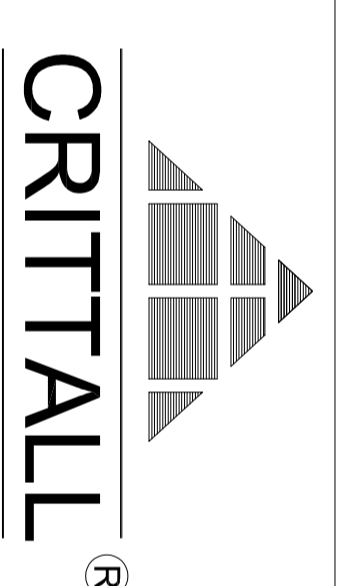
TYPICAL GLAZING DETAIL



TYPICAL FIXING DETAILS



DIRECT-FIX
OPTION



CRITTALL®

INNERVISION™ SCREENS
GENERAL ARRANGEMENT

CRITTALL® IS A REGISTERED TRADE MARK OF CRITTALL WINDOWS LIMITED