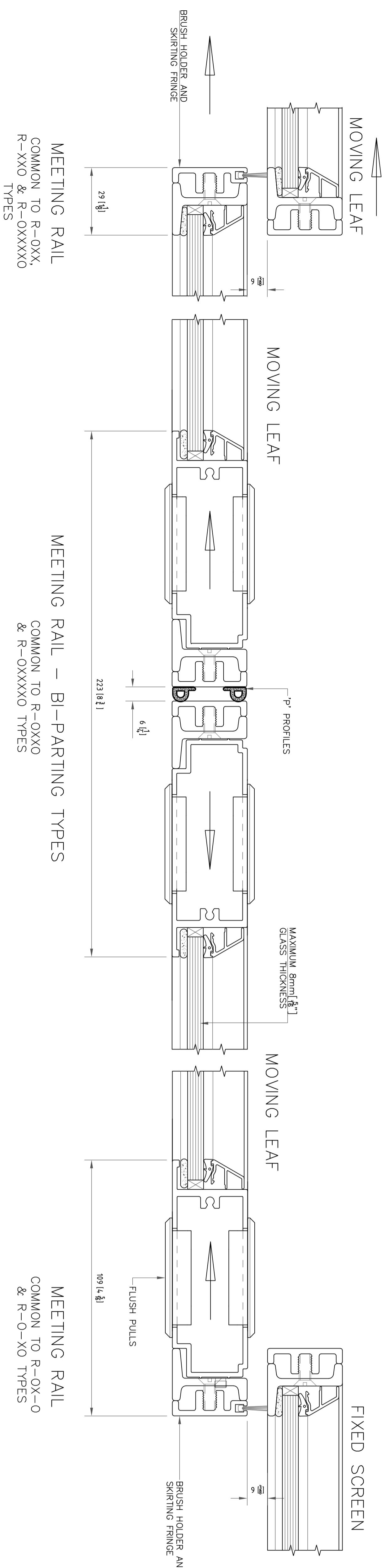
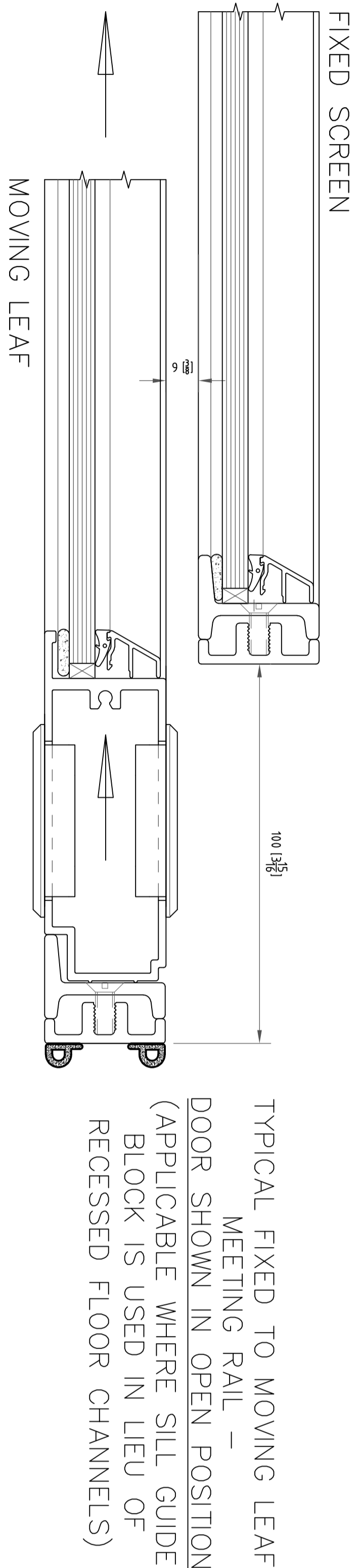
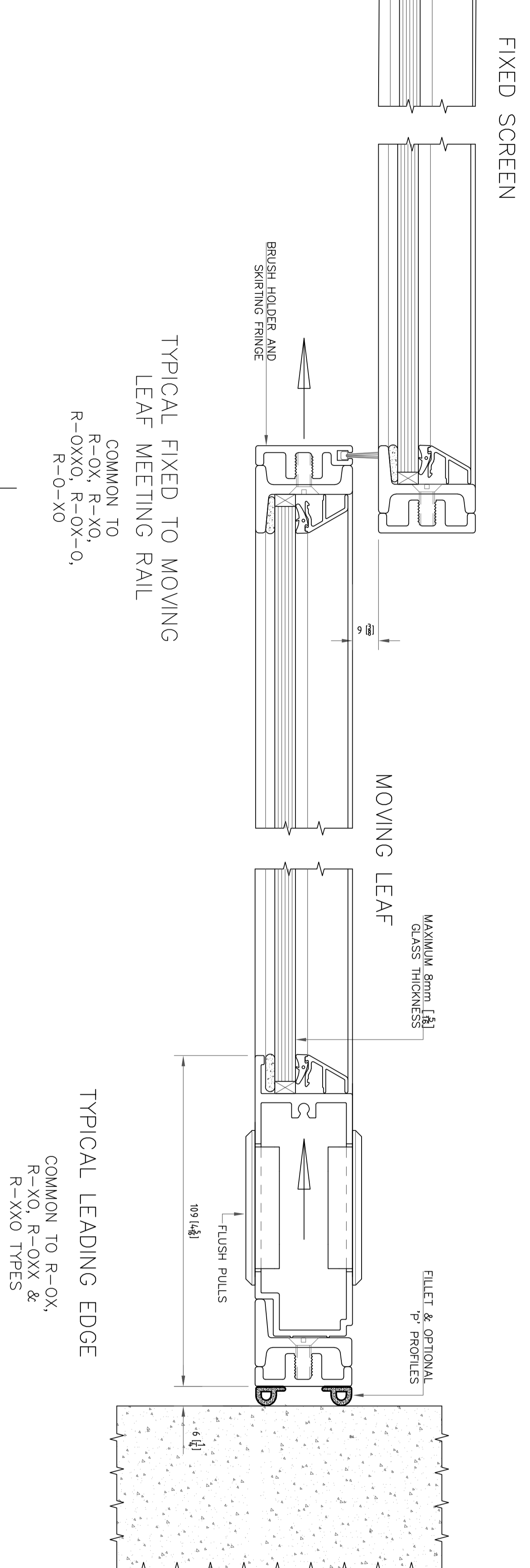
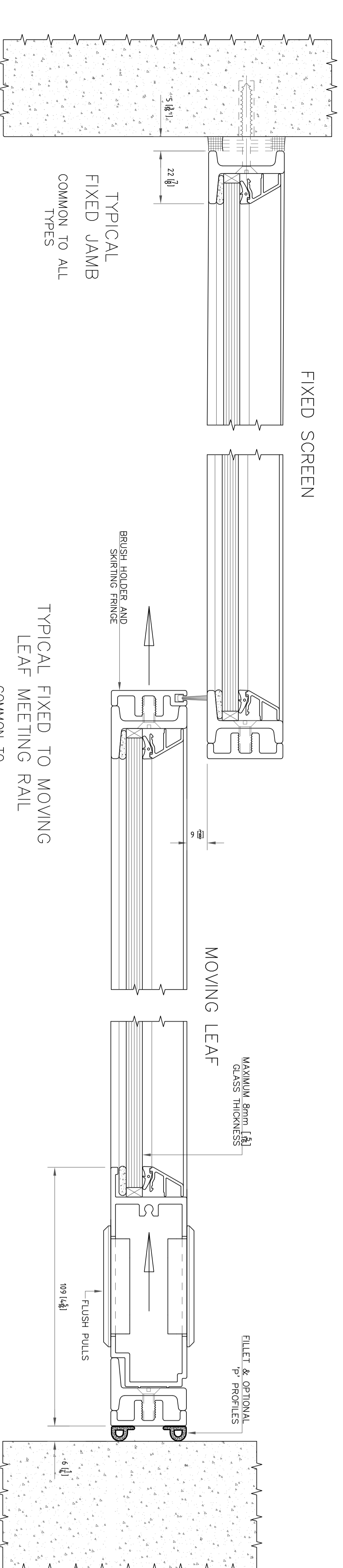
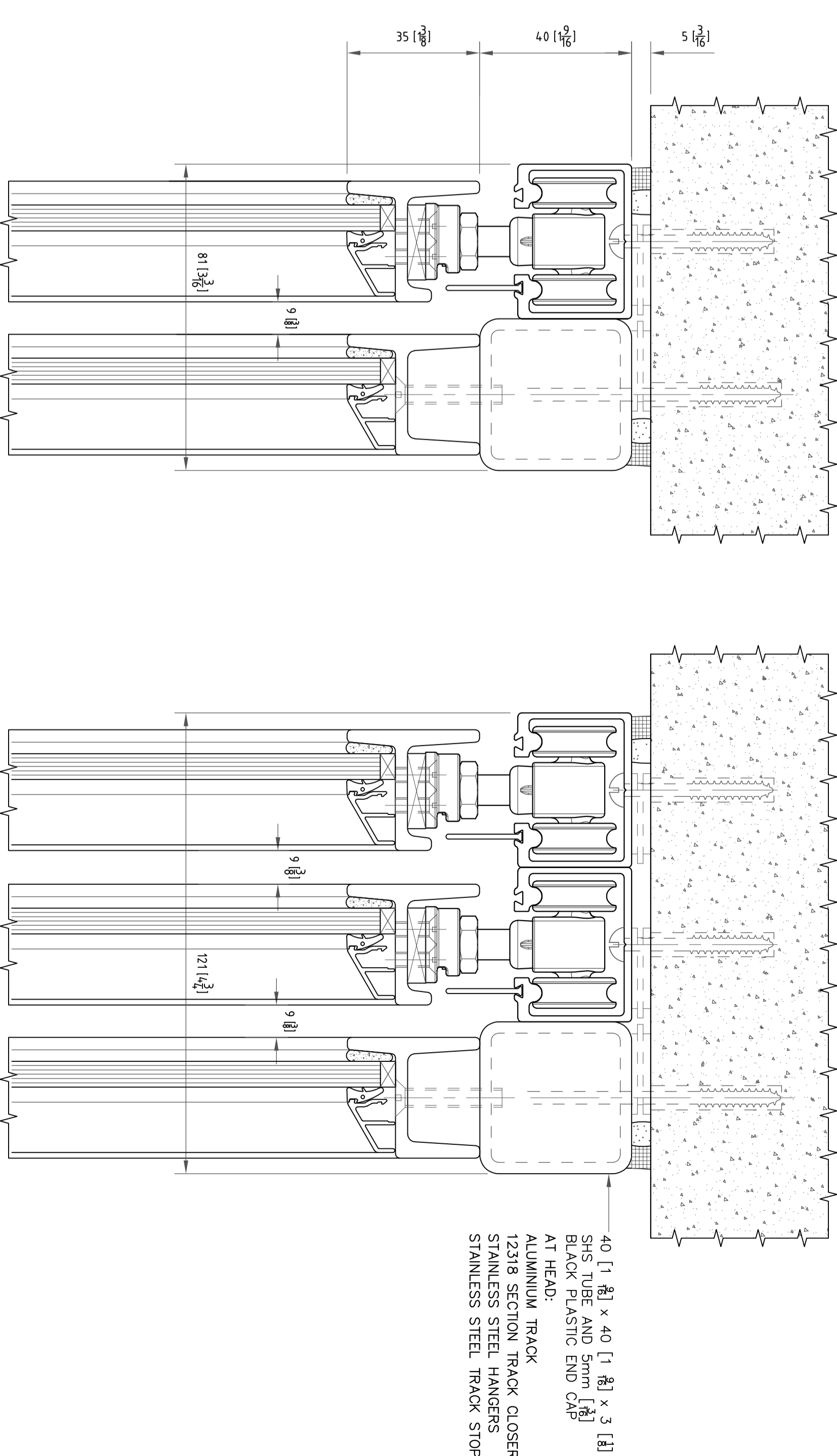


O = FIXED LEAF, X = MOVING LEAF. * LEAVES MOVE INDEPENDENTLY

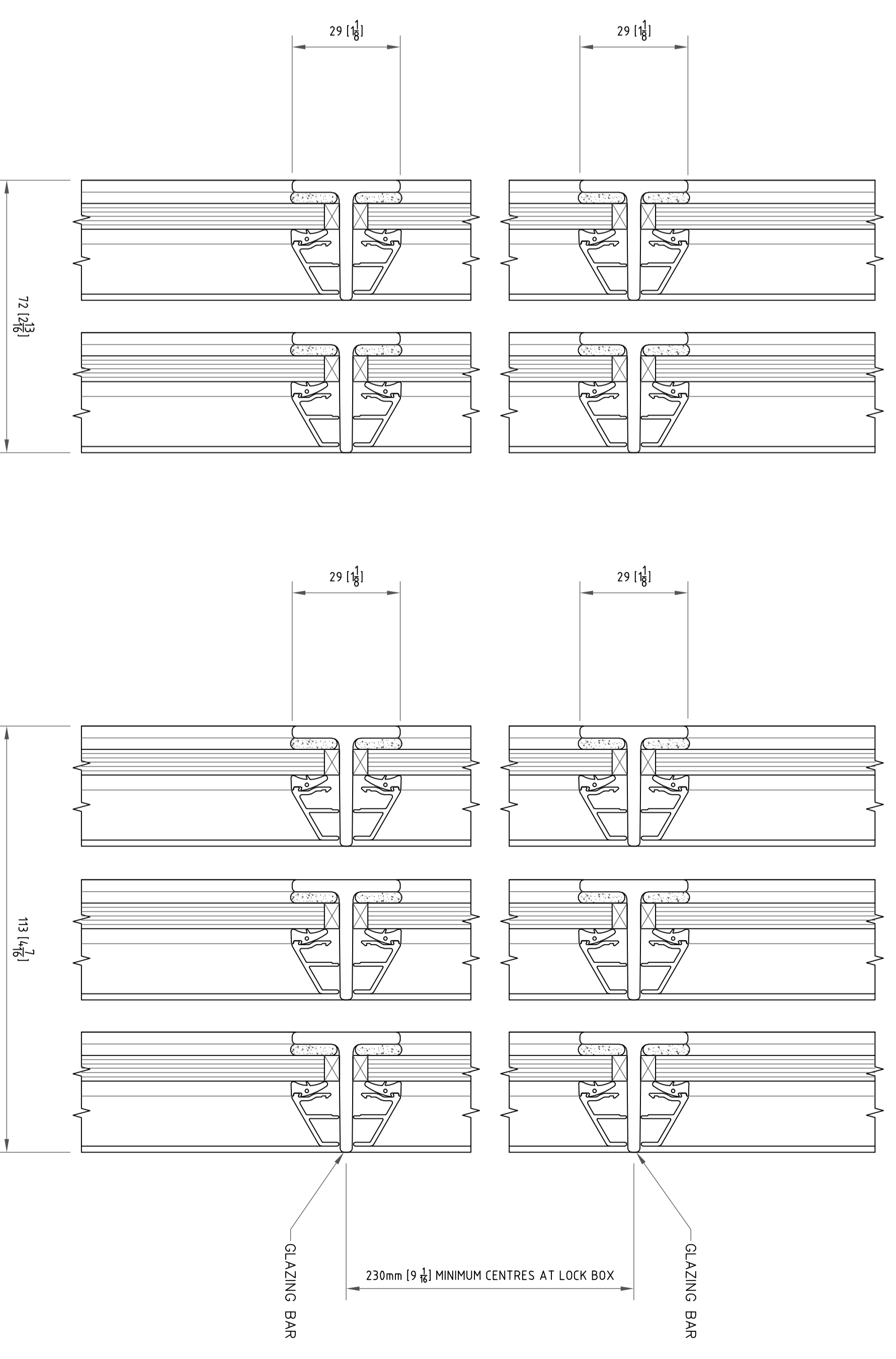
TYPE R-OX	TYPE R-XO	TYPE R-OXXO	TYPE R-OX-O	TYPE R-O-XO	TYPE R-OXX	TYPE R-XXO	TYPE R-OXXXXO



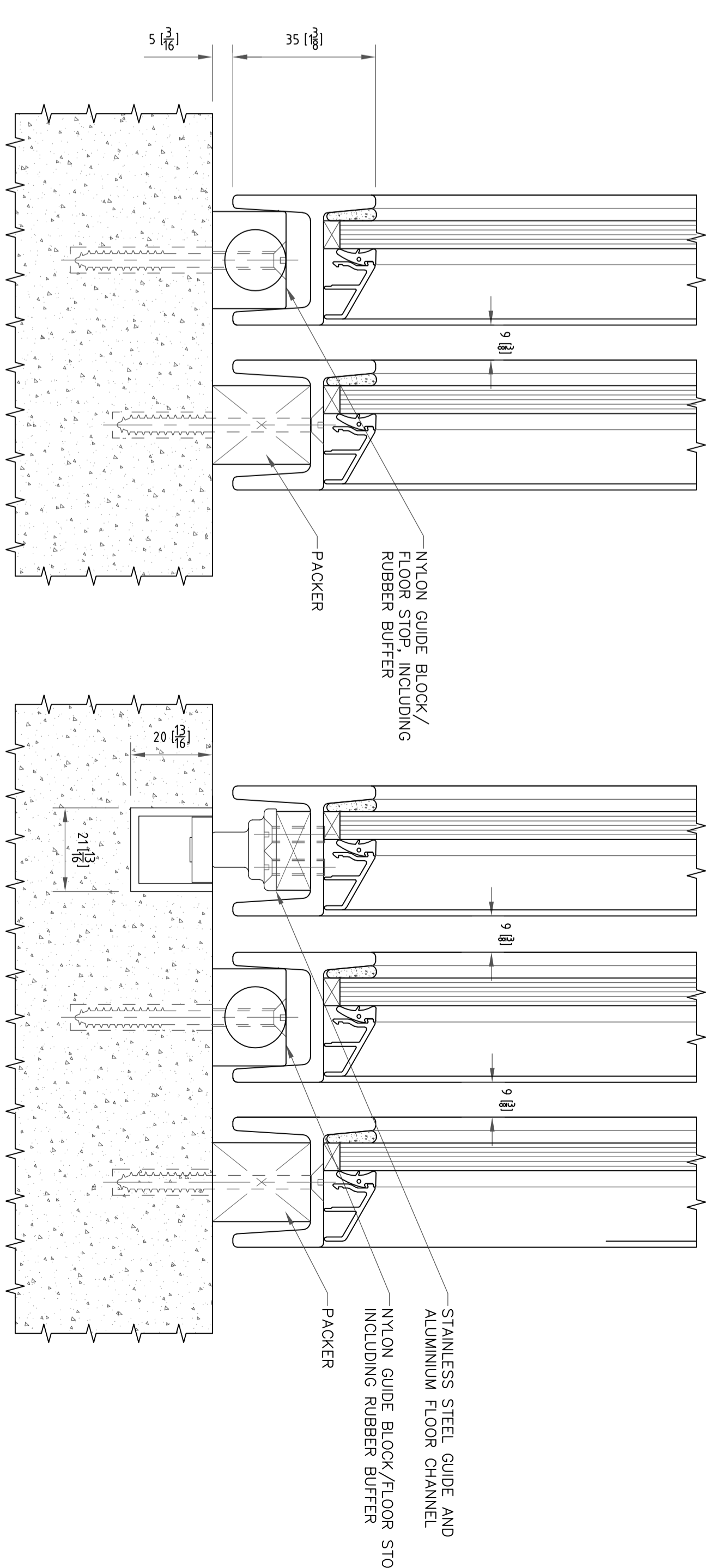
TYPICAL HEAD DETAIL
COMMON TO R-OX, R-XO, R-OXXO, R-OX-O & R-O-XO TYPES



TYPICAL HEAD DETAIL
COMMON TO R-OXX, R-XXO & R-OXXXXO TYPES

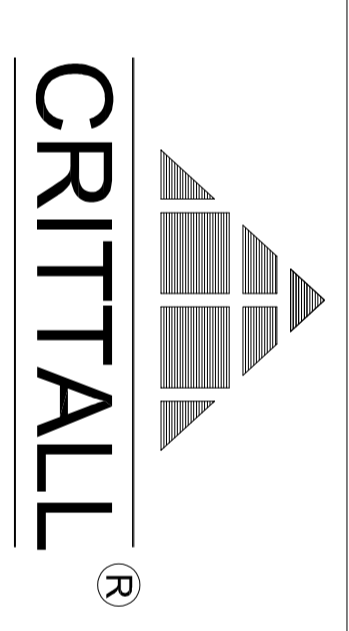


TYPICAL SILL DETAIL
COMMON TO R-OX, R-XO, R-OXXO, R-OX-O & R-O-XO TYPES

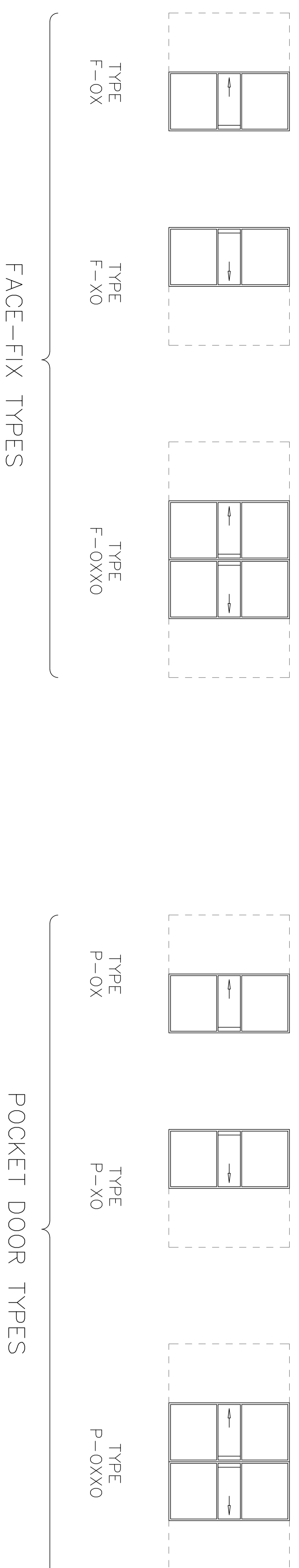


TYPICAL SILL DETAIL
COMMON TO R-OXX, R-XXO & R-OXXXXO TYPES

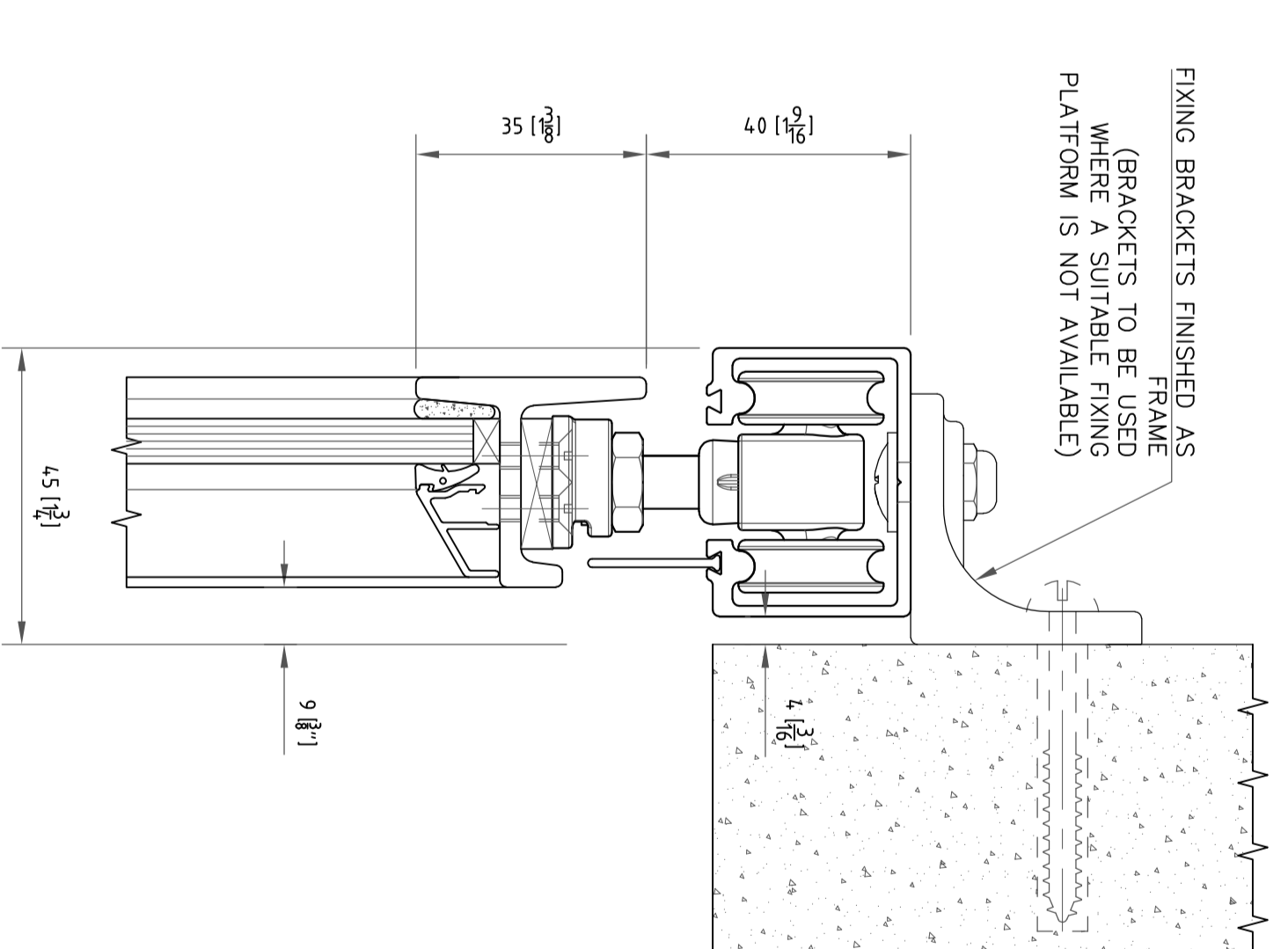
NYLON GUIDE BLOCK OPTION SHOWN.
FLOOR CHANNEL / ROLLER OPTION
ALSO AVAILABLE



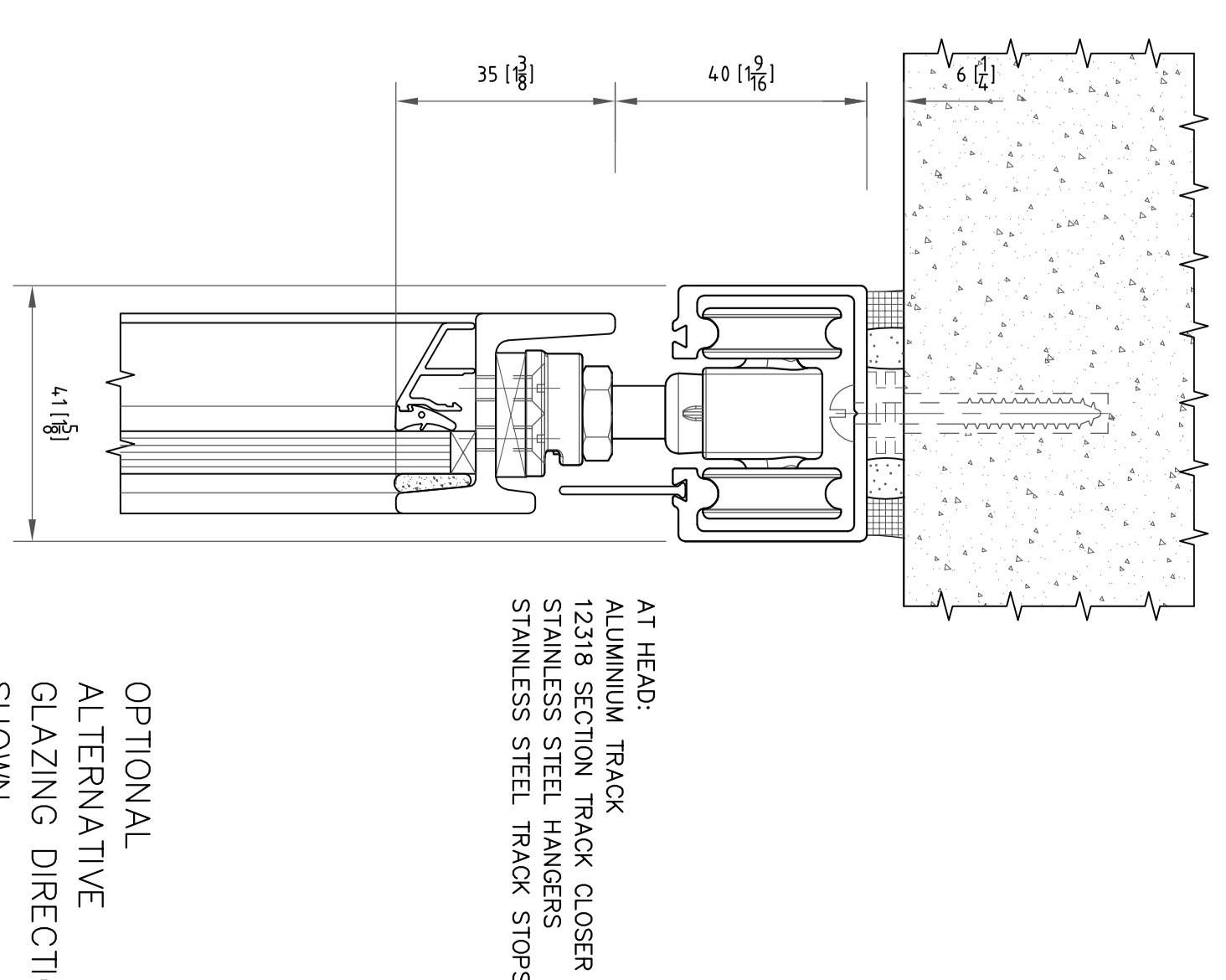
TYPE F = FACE-FIX; TYPE P = POCKET DOOR



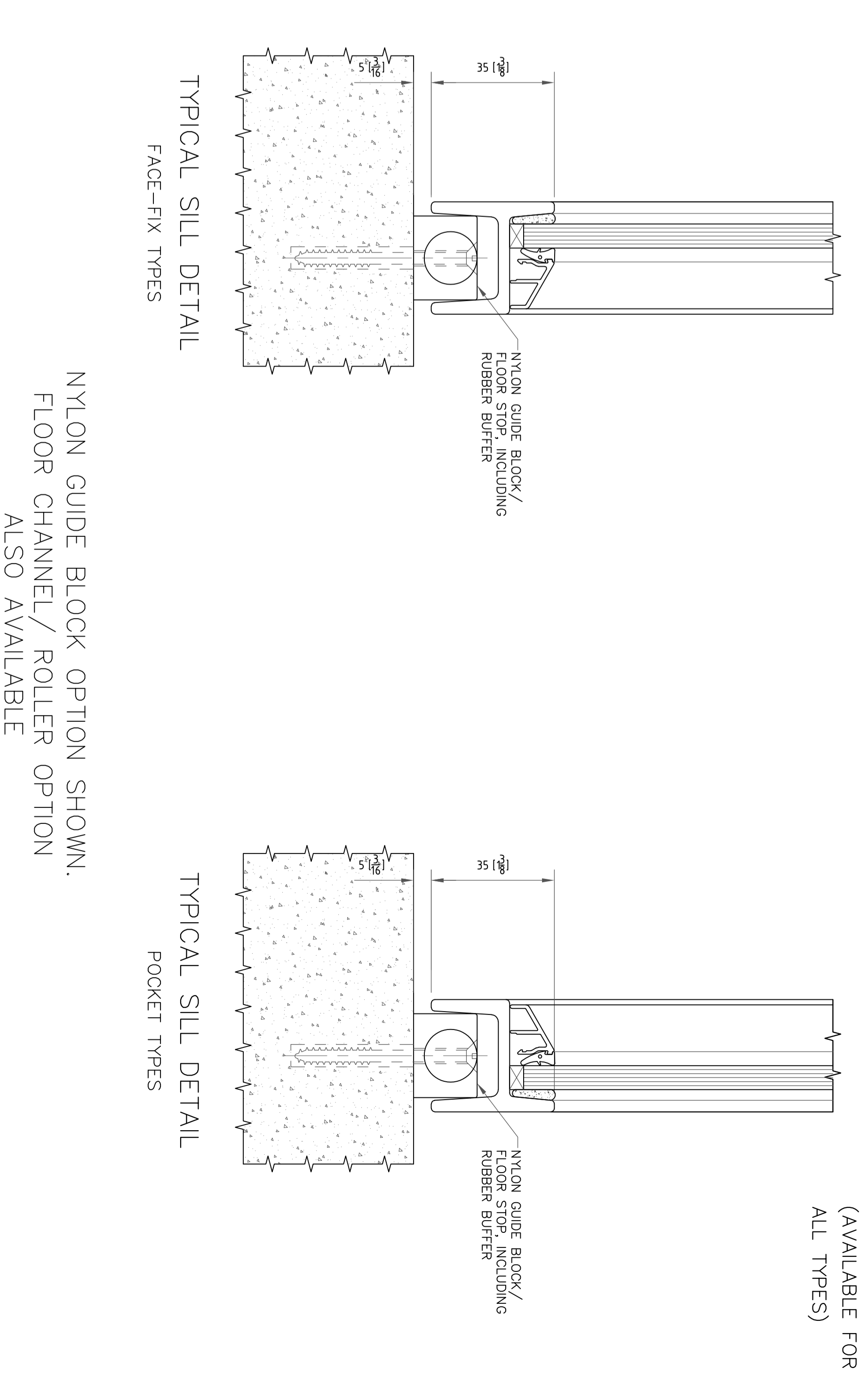
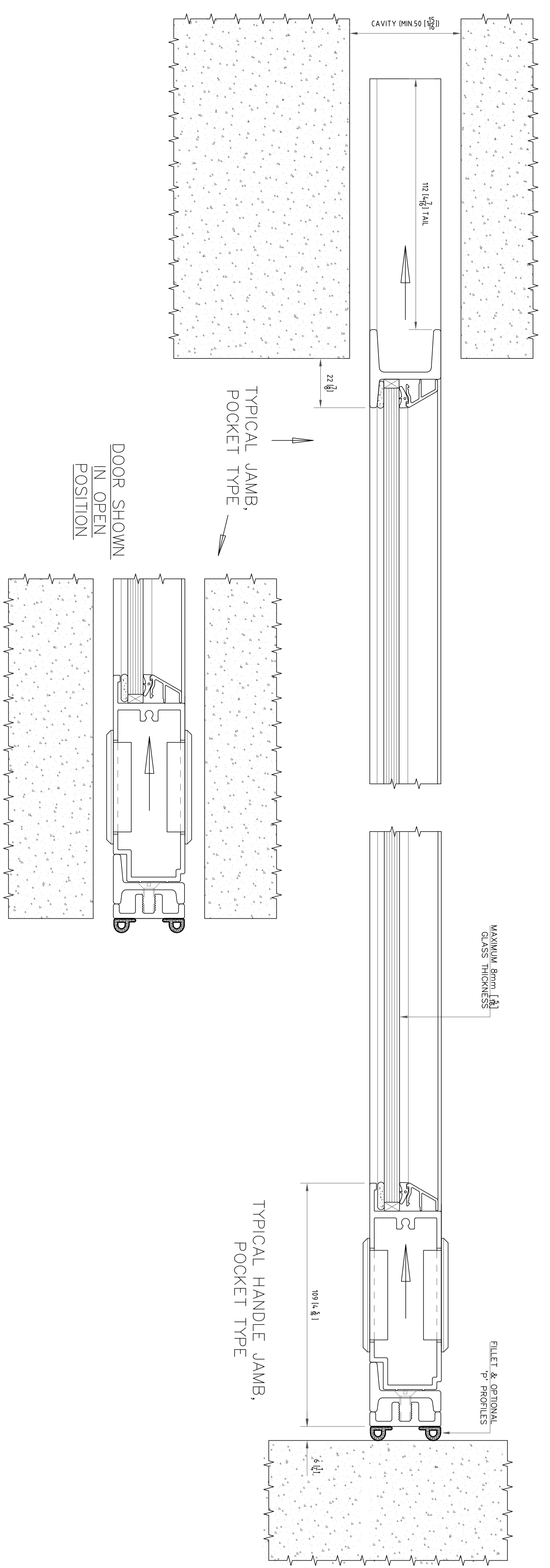
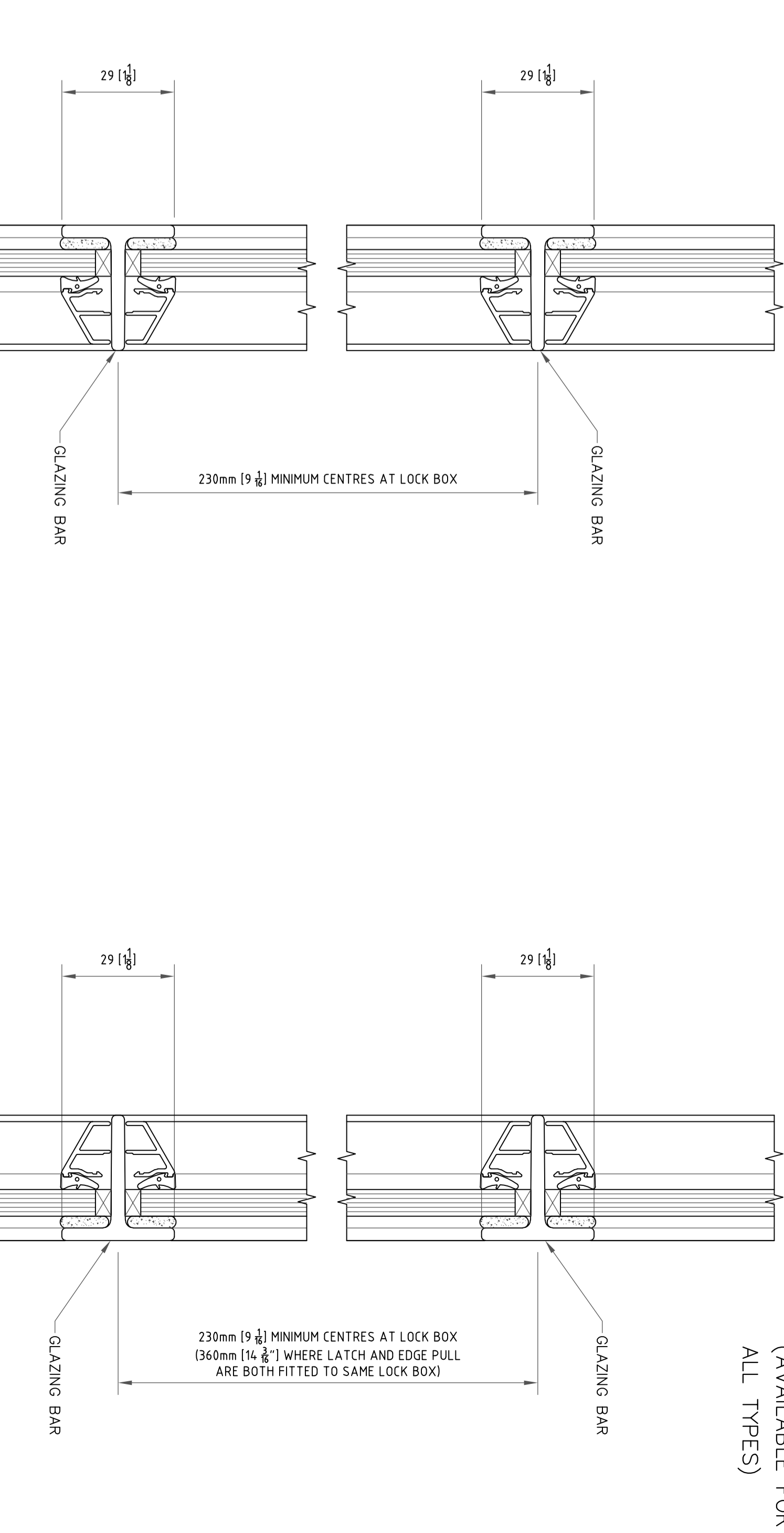
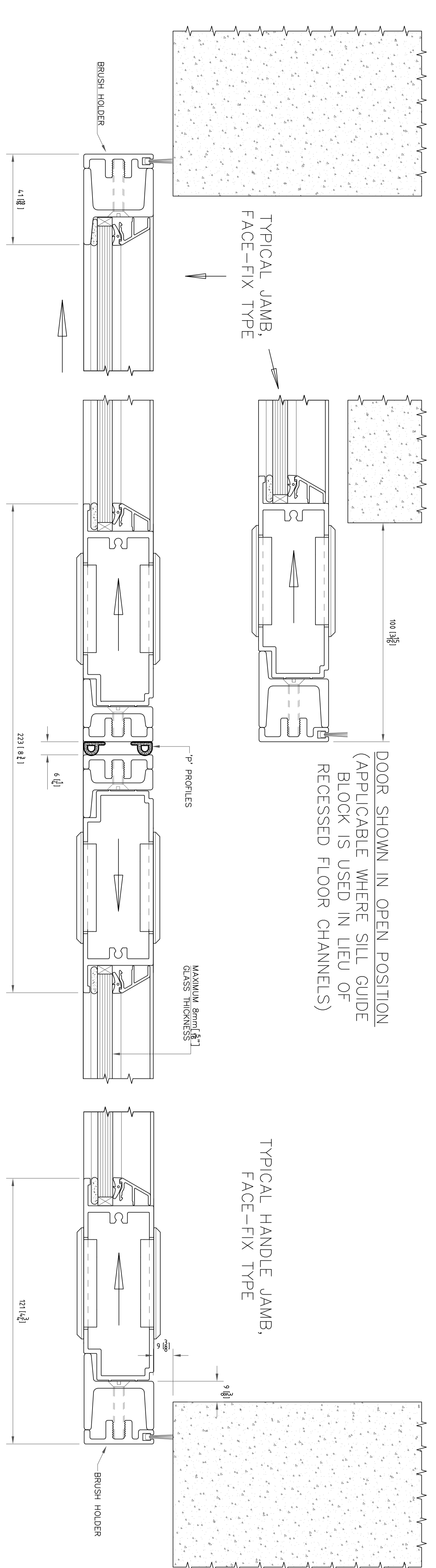
TYPICAL HEAD DETAIL
FACE-FIX TYPES



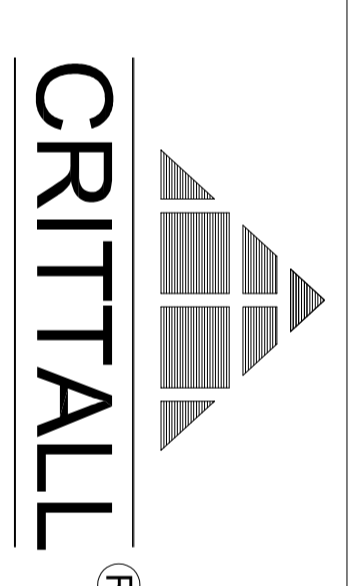
TYPICAL HEAD DETAIL
POCKET TYPES



OPTIONAL ALTERNATIVE GLAZING DIRECTION SHOWN (AVAILABLE FOR ALL TYPES)



SEE SHEET 1 OF 2 FOR REBATE TYPES



INNERVISION™ SLIDING DOORS - GENERAL ARRANGEMENT (FACE-FIXED & POCKET TYPES)
CRITTALL® IS A REGISTERED TRADE MARK OF CRITTALL WINDOWS LIMITED

REF. IVA 02/20
SHEET 2 OF 2