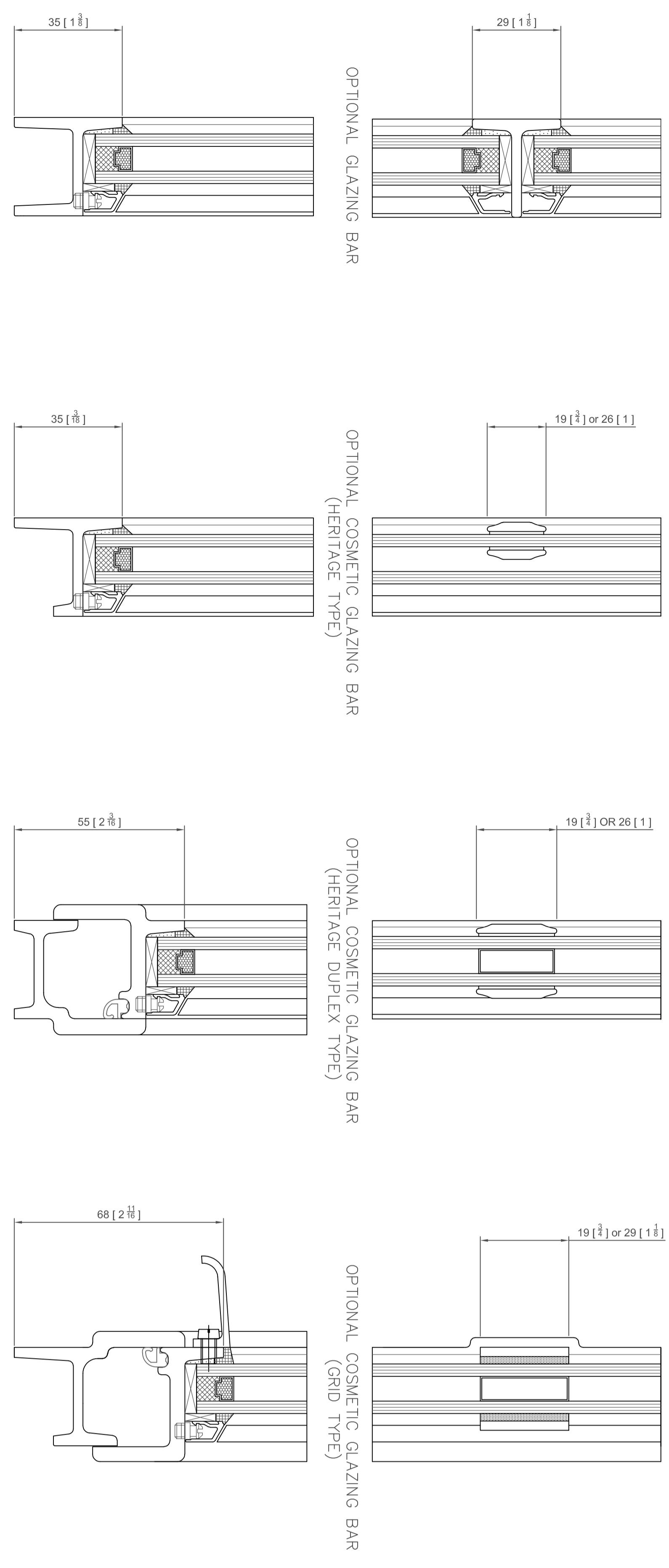
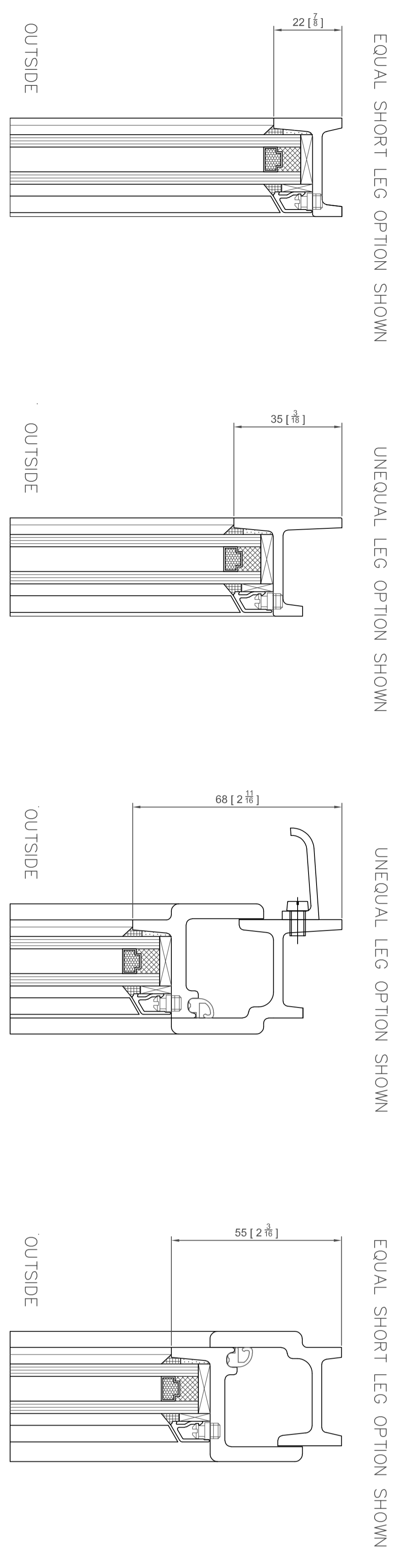
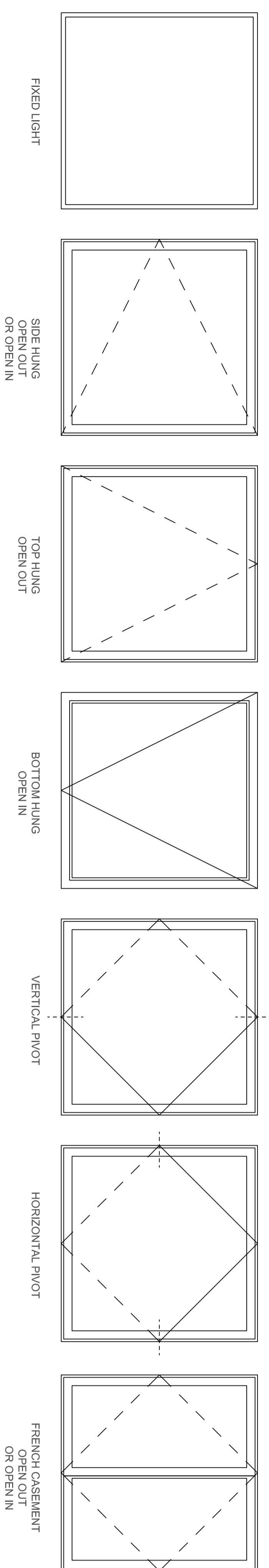
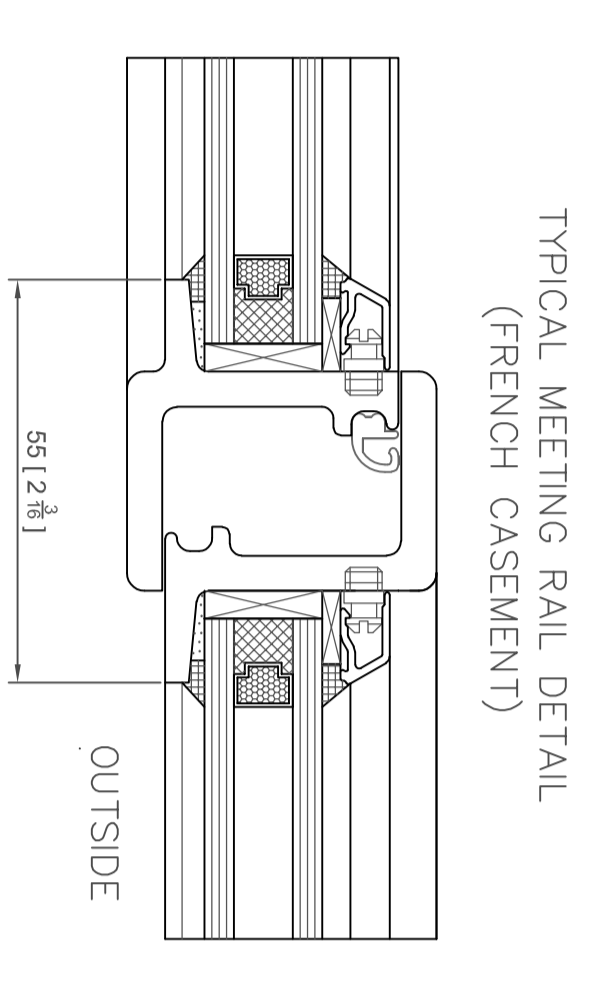


PRODUCT RANGE



JAMB DETAILS SIMILAR TO HEAD AND CILL



*NOTE: EXTERIOR GLAZED CONFIGURATION, WEATHERBAR DESIGN AND PROFILE OPTIONS ARE AVAILABLE. CONTACT CRITTALL FOR DETAILS

